

D' TRACK

ART OF CEILING

WYVAJK ARABIA



**LET'S
TALK ABOUT
CEILING
CHALLENGE !**

5

Elements

BURNS OUT
My head.



FALSE CEILING

FALSE CEILING are secondary ceilings installed below the main ceiling



E - LIGHTS

E-LIGHTS include both track lights and linear lights to provide versatile and efficient lighting solutions.



STRETCH CEILING

STRETCH CEILINGS are ideal for creating sleek contemporary interiors in residential and commercial spaces.



GRID CEILING

GRID CEILING consist of a metal grid framework that holds ceiling tiles in place.



MID FLOOR FURNITURE

MID-FLOOR FURNITURE, often used to connect uprights from floor to ceiling, maximizes vertical space.



ctrl+alt+del

END MONOTONY >>>

Disrupting >>>



5 SOLUTION FOR CHALLENGES



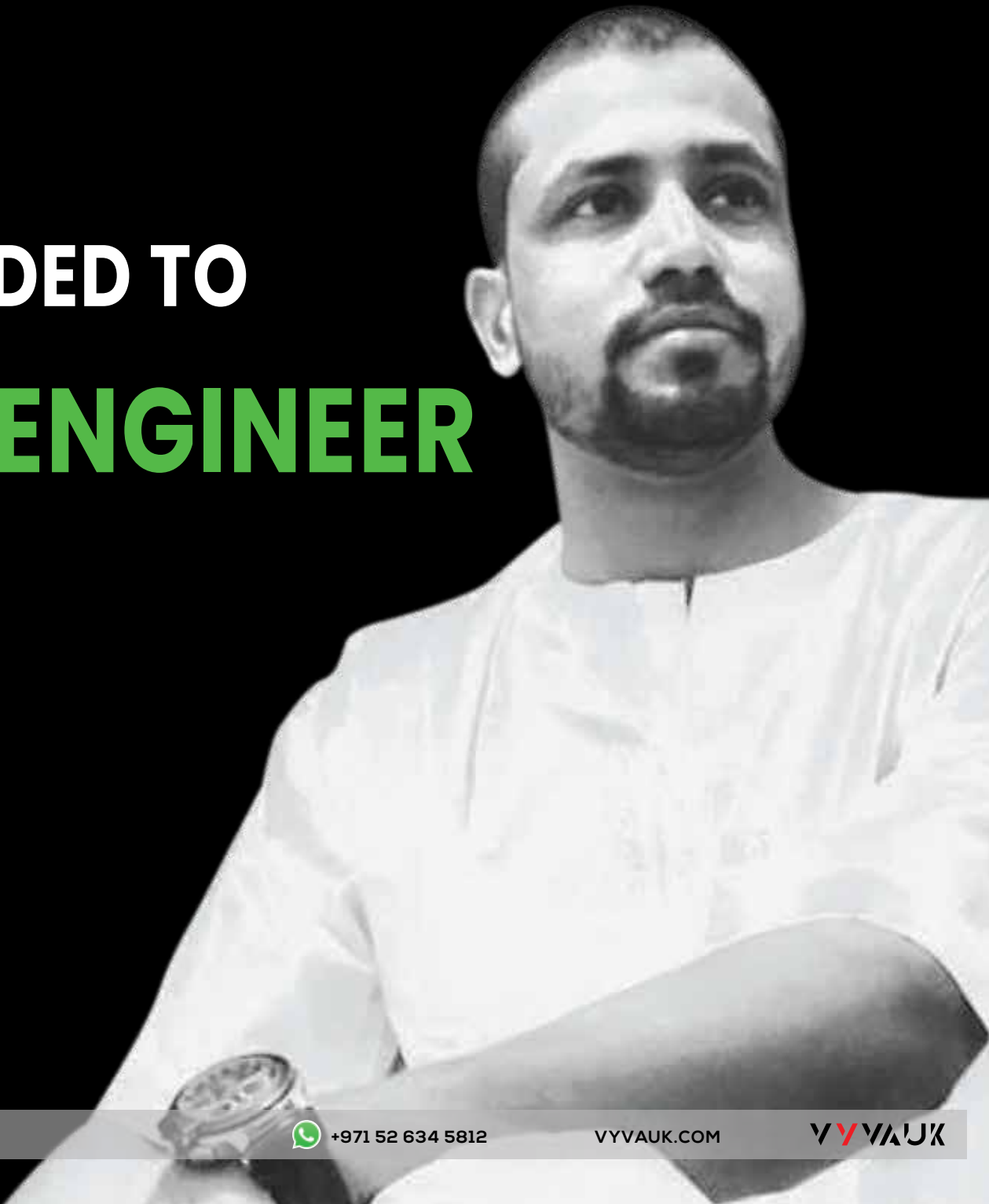
“ ALL in One Solution.”

ART OF TRACK

While we were keep trying to solve ceiling challenges for us and to our retail partners, on our journey of searching path... An amazing **D'TRACK HAVE BORN!** Which have emerged as a solution to stream line complex tasks into **one integrated solution.** Which benefits in maximising efficiency ensures consistency by reducing variability and potential errors. This transparency in projects helps for scalability and cost saving.

D Track can provide versatile and efficient solutions for contemporary interior design. It seamlessly incorporates various elements such as false ceilings, stretch ceilings, upright systems, track lights, and linear lights into a unified framework. This innovative approach allows for enhanced functionality and aesthetics in any space, making it suitable for both residential and commercial applications.

I DECIDED TO RE-ENGINEER



CONT

01

Introducing Our D'TRACK
Hybrid ceiling Solution

03

Track Joints

04

Track Accessories

19

Linear Track Lights

25

Ts Shape-zoomable Track Lights

33

4 Line Track Solution

EVENTS

05

5 Requirements 1 Solution

07

Over-View

13

Track Lights

37

Retail Smart Frames

61

Clientele

62

Where We Sell



●●●

AL AMEEN BRAND STORY

Al Ameen epitomizes excellence in the fixtures manufacturing industry within the United Arab Emirates, standing tall with a remarkable operational presence spanning over 200,000 square feet across the UAE and Saudi Arabia. Backed by a dedicated workforce exceeding 350 individuals, comprising both semi-skilled and skilled professionals, the company excels in a diverse array of manufacturing domains, including fixtures, LED panels, and lightboxes.

What truly sets Al Ameen apart is its extensive experience, evidenced by the successful execution of over 2,500 projects across more than 25 countries. This global footprint underscores the company's proficiency and its ability to cater to diverse market needs on an international scale.

Furthermore, Al Ameen is distinguished by its financial stability, a testament to its prudent management practices and robust business model. This financial strength not only ensures the company's longevity but also enhances its credibility as a dependable and accomplished industry leader.

In summary, Al Ameen's impressive track record, expansive operational footprint, skilled workforce, global reach, and financial stability collectively position it as the foremost fixtures manufacturing industry leader in the region, trusted by clients worldwide for their diverse needs.



INTRODUCING OUR **D' TRACK** HYBRID CEILING SOLUTION

□ TKHALW01028

■ TKHALB01029

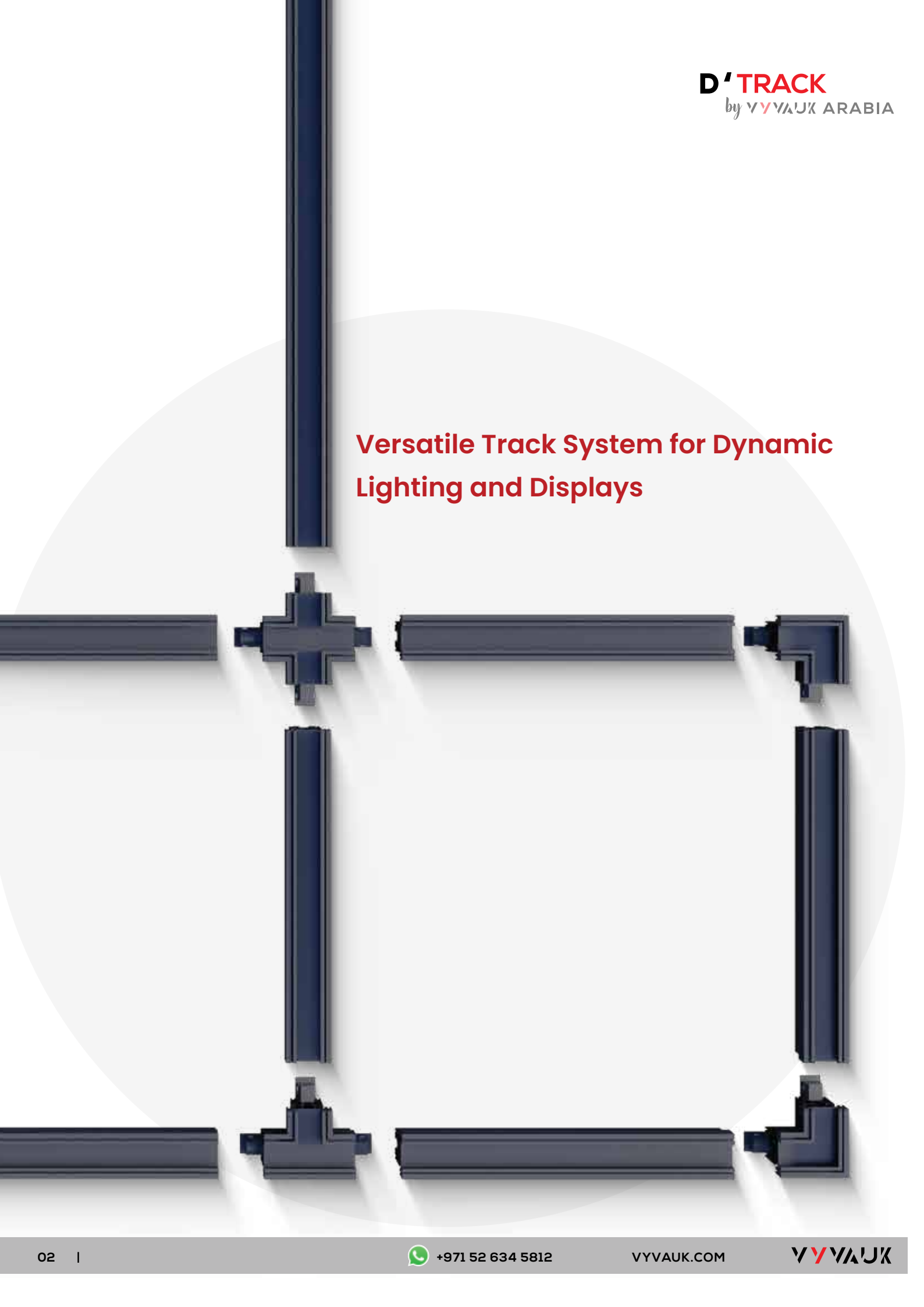
Welcome to our versatile track system, designed for efficient lighting, signage, and display solutions. Our system features modular track rails and junctions that allow for customizable layouts, seamlessly integrating into any space. With a range of accessories like end caps and connectors, our track system offers easy installation and maintenance, enabling you to create dynamic and stylish installations for various applications. Unlock the potential of our track system to transform your space with flexibility and functionality.



Explore Our Dynamic Track System:
Enhance Lighting, Signage, and
Displays with Versatility

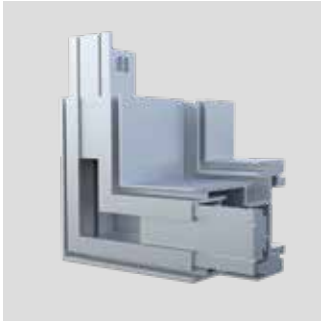


**Versatile Track System for Dynamic
Lighting and Displays**



TRACK JOINTS

Here's an overview of the four types of connections used to join track rails: L-Joint, T-Joint, "+ Joint", and Linear Joint.



L-JOINT

- TKCALWL01030
- TKCALBL01031

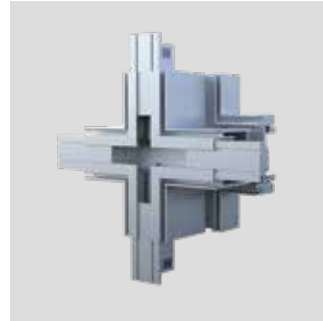
An L-Joint is a connection that joins two track rails at a right angle, forming an "L" shape. This type of joint is commonly used when tracks need to change direction, such as turning a corner or branching off in a perpendicular direction. L-Joints allow for flexibility in track layout and are essential for creating complex configurations in lighting or display setups.



T-JOINT

- TKCALWT01032
- TKCALBT01033

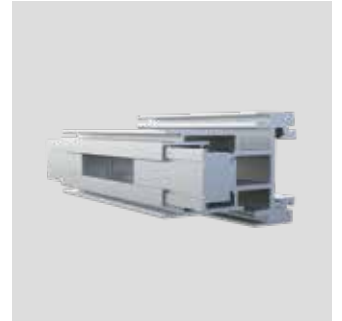
A T-Joint is a connection where one track rail intersects another track rail perpendicularly, forming a "T" shape. This joint is useful for branching out a track into multiple directions from a single point. T-Joints are often employed to create junctions in track lighting systems, enabling lights to be directed along different paths or to illuminate specific areas effectively.



+ JOINT

- TKCALWX01034
- TKCALBX01035

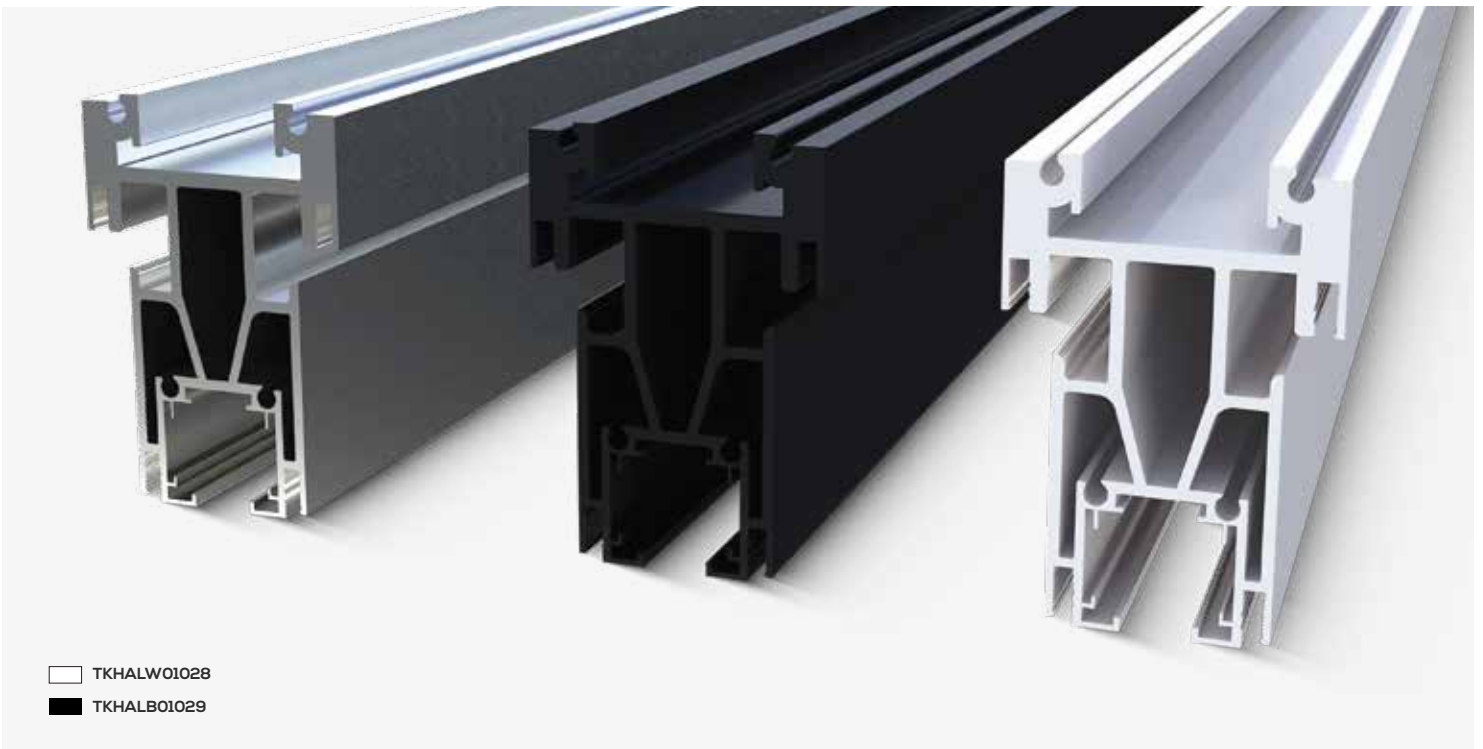
A "+ Joint" is a connection where four track rails meet at a central point, resembling the shape of an "+". This type of joint allows for highly intricate and interconnected track layouts, enabling a network of rails to converge and diverge in various directions. + Joints are used to create complex configurations in installations where multiple tracks need to intersect and overlap.



LENIER-JOINT

- TKCALWI01036
- TKCALBI01037

A Linear Joint connects two track rails end-to-end, forming a seamless, straight path without angles. It's essential for extending tracks smoothly and joining sections for a cohesive system, ensuring seamless transitions and overall functionality.



- TKHALW01028
- TKHALB01029

TRACK ACCESSORIES



POWER CONNECTOR

- TKCPLWE01022
- TKCPLBE01023

Powering lights in track rail systems relies on integrated low-voltage or line-voltage connections within the rails. This setup facilitates flexible lighting placement and design, accommodating diverse environments and requirements effectively. It ensures efficient and customizable illumination solutions for various settings.



END CAP WITH POWER HOLE

- TKCALWE01038
- TKCALBE01039

End caps with power holes for track rail ends offer both a polished aesthetic and functional convenience. They provide a clean finish to the end of the rail while also allowing easy access for electrical connections. This design enhances the versatility and usability of the track system for installing lighting fixtures or other powered accessories.



END CAP

- TKCALWE01040
- TKCALBE01041

End caps for track rails serve as essential components that provide a clean and finished look to the end of the rail. They effectively conceal any exposed ends, enhancing the overall aesthetic appeal of the track system. Additionally, end caps help prevent dirt and debris from accumulating within the rail, ensuring its longevity and smooth operation.



HANGING SUSPENSION WIRE

- TKWGI01042



HANGING SUSPENSION WIRE

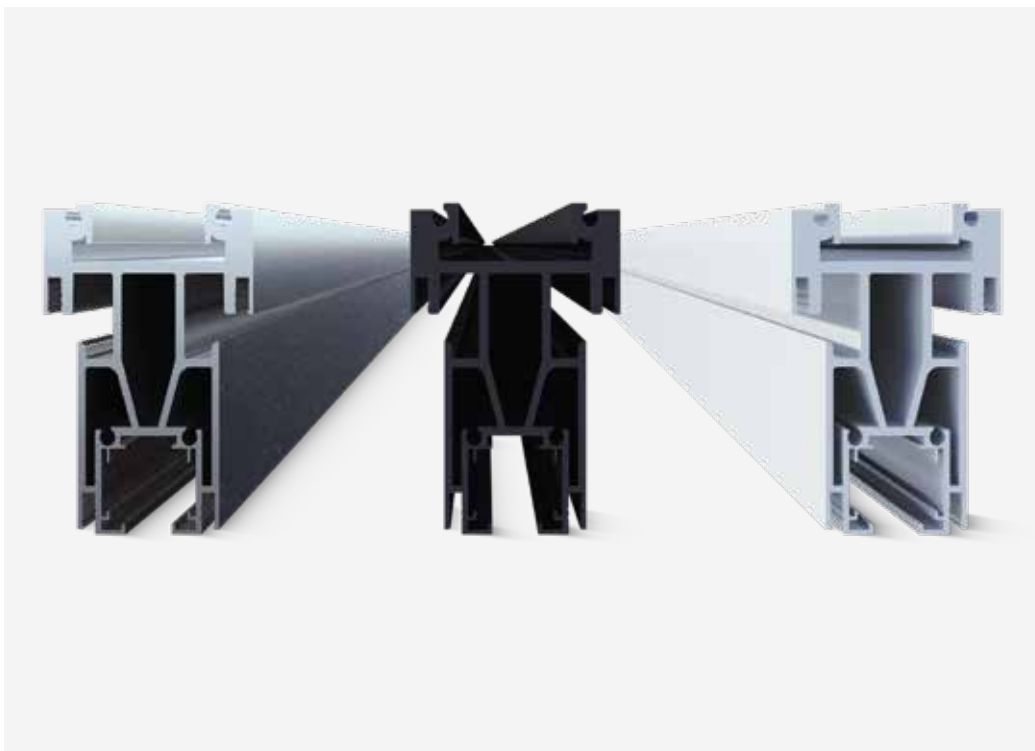
- TKCALW1S01043
- TKCALB1S01044



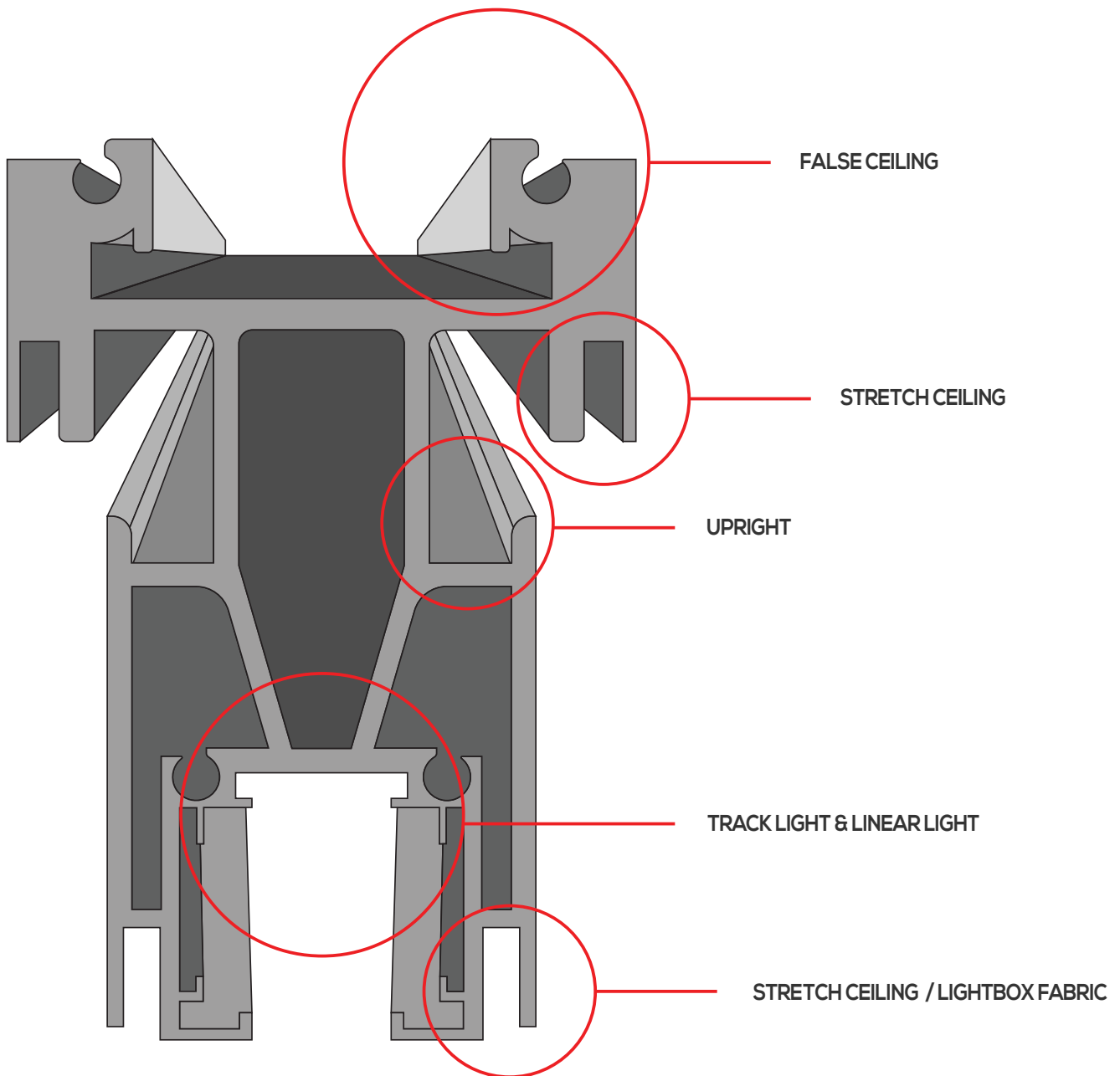
HANGING SUSPENSION WIRE

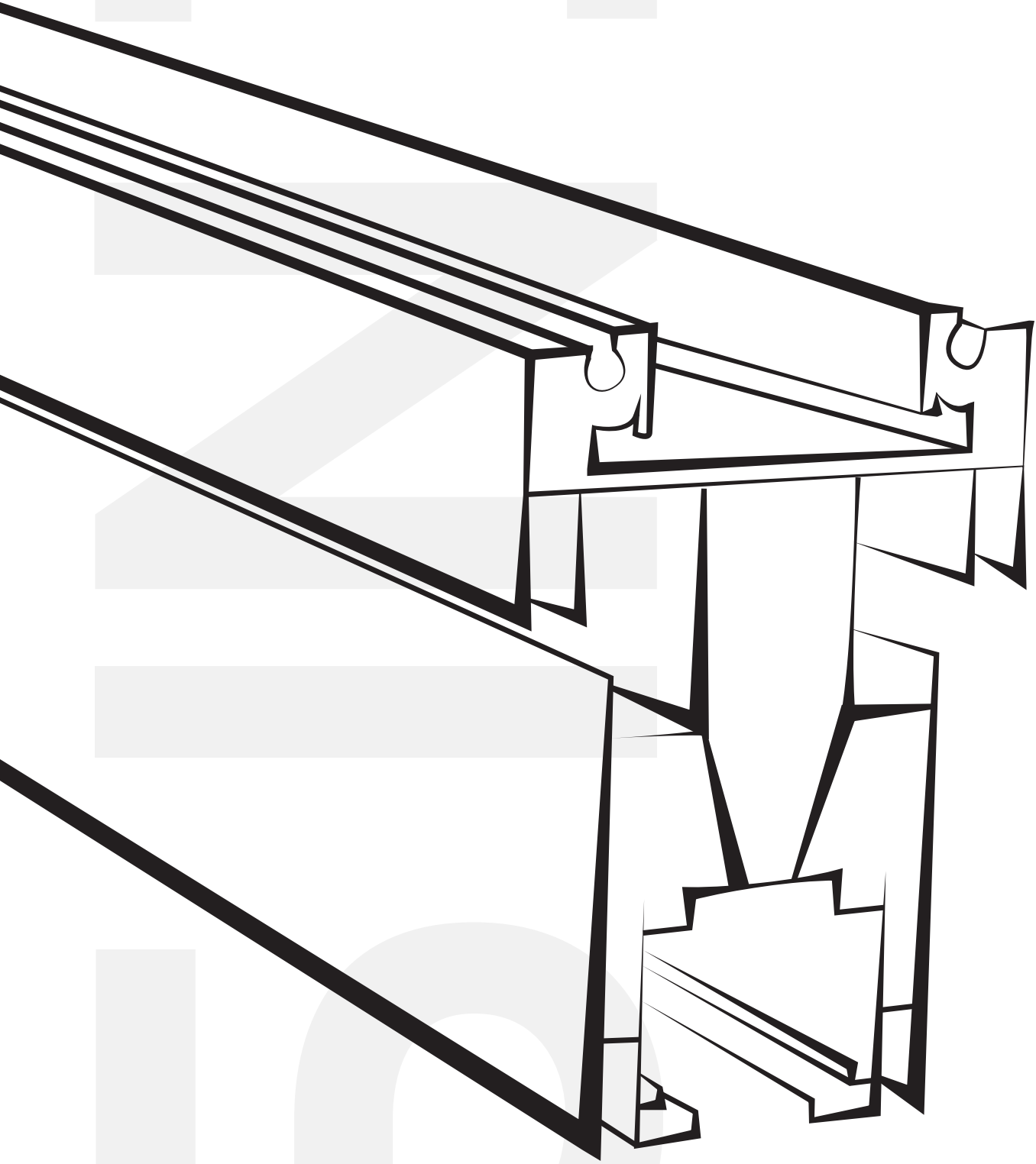
- TKCALW2S01044
- TKCALB2S01045

Hanging suspension wires are utilized to support track rails, ensuring stability and alignment in elevated or overhead track systems. These wires are crucial for distributing weight evenly and minimizing sag, thus maintaining the integrity and safety of the track installation.

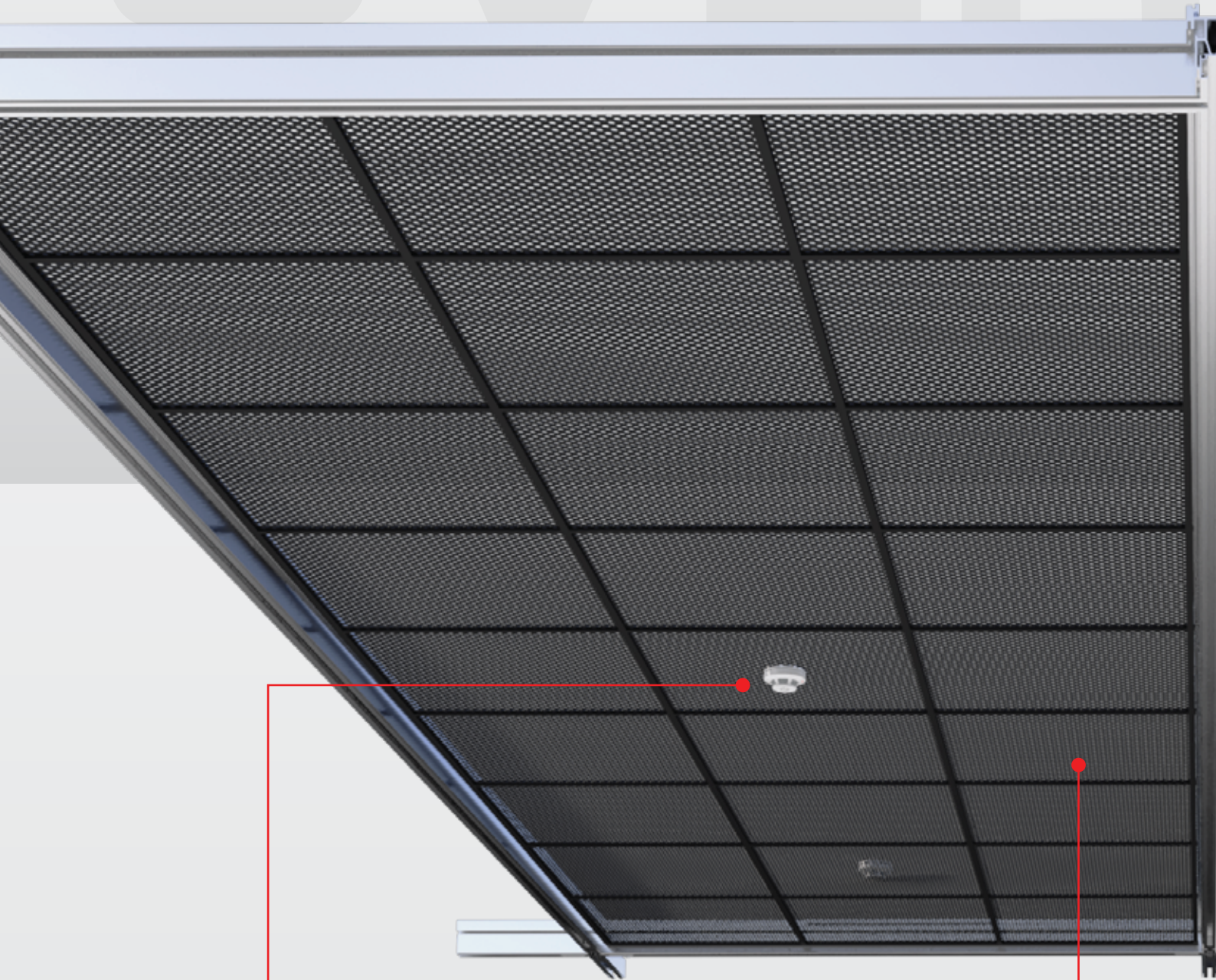


5 REQUIREMENTS 1 SOLUTION



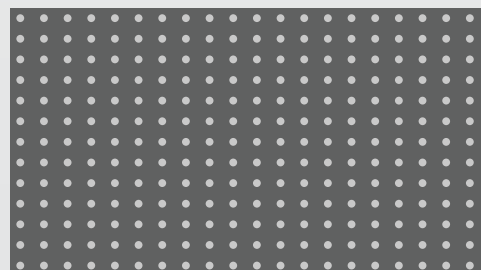


OVER

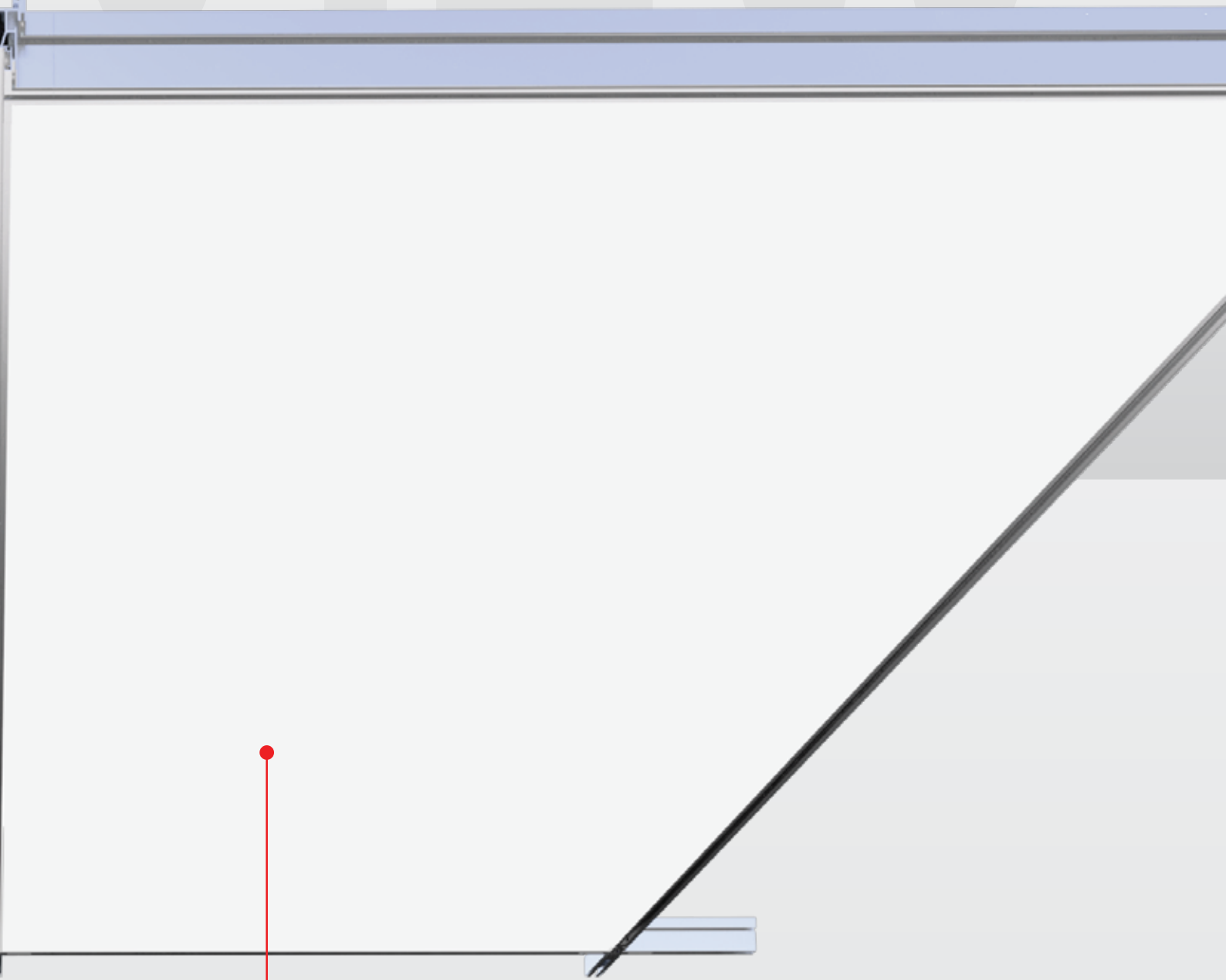


FIRE ALARM

PERFORATED MESH



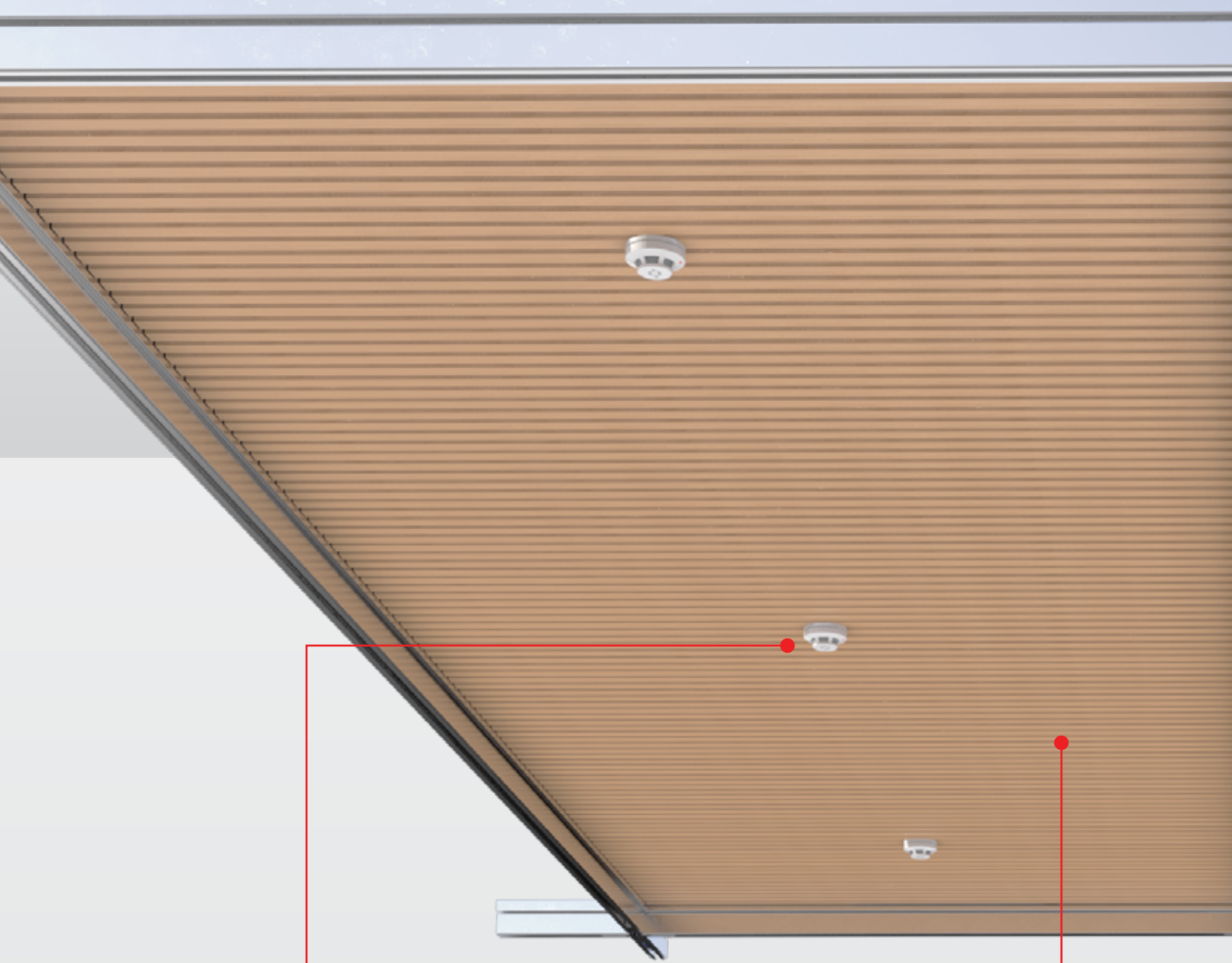
VIEW



STRETCH CEILING / LIGHT BOX



OVER

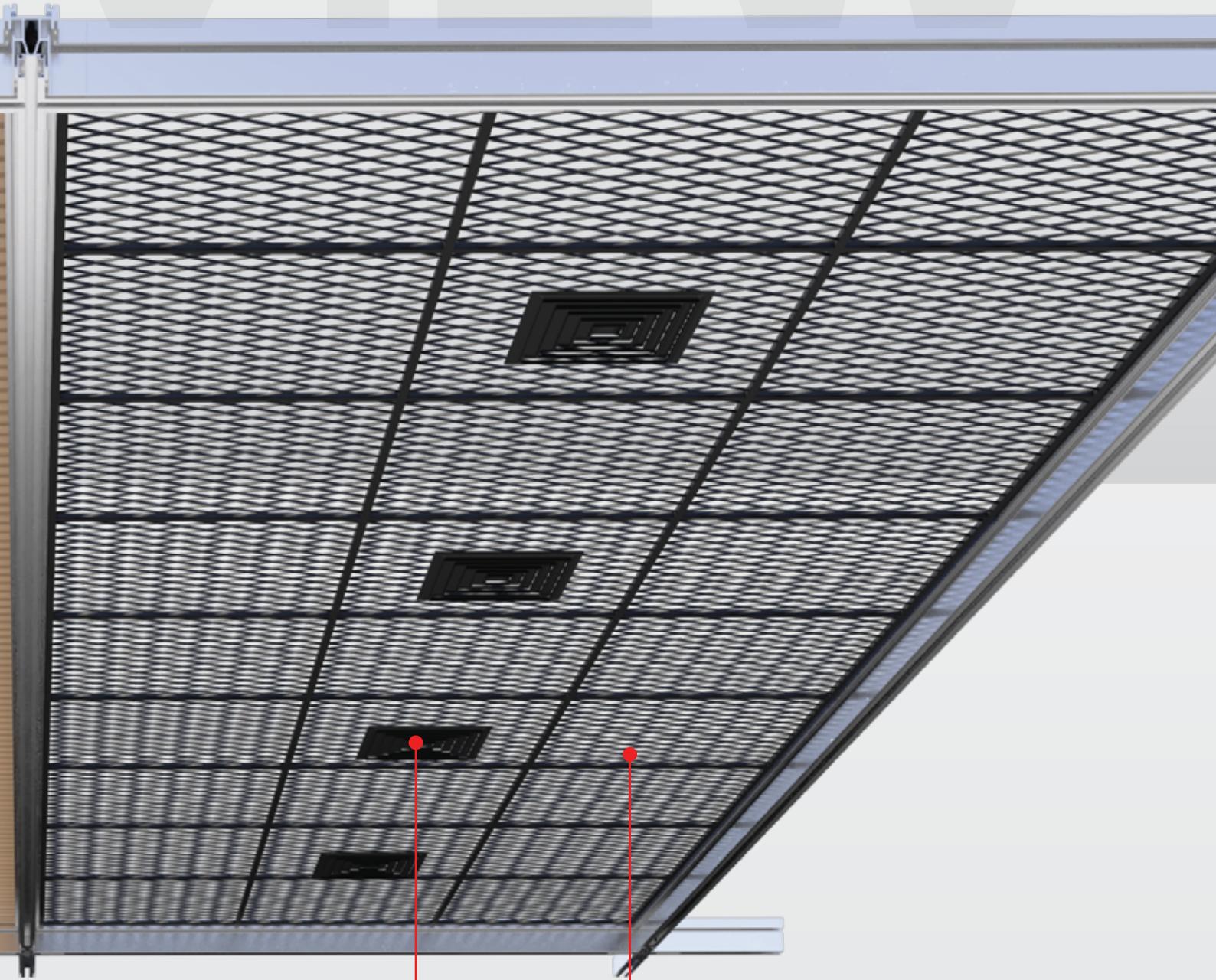


FIRE ALARM

WOODEN PANEL

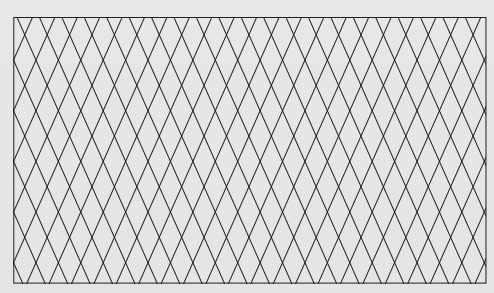


VIEW

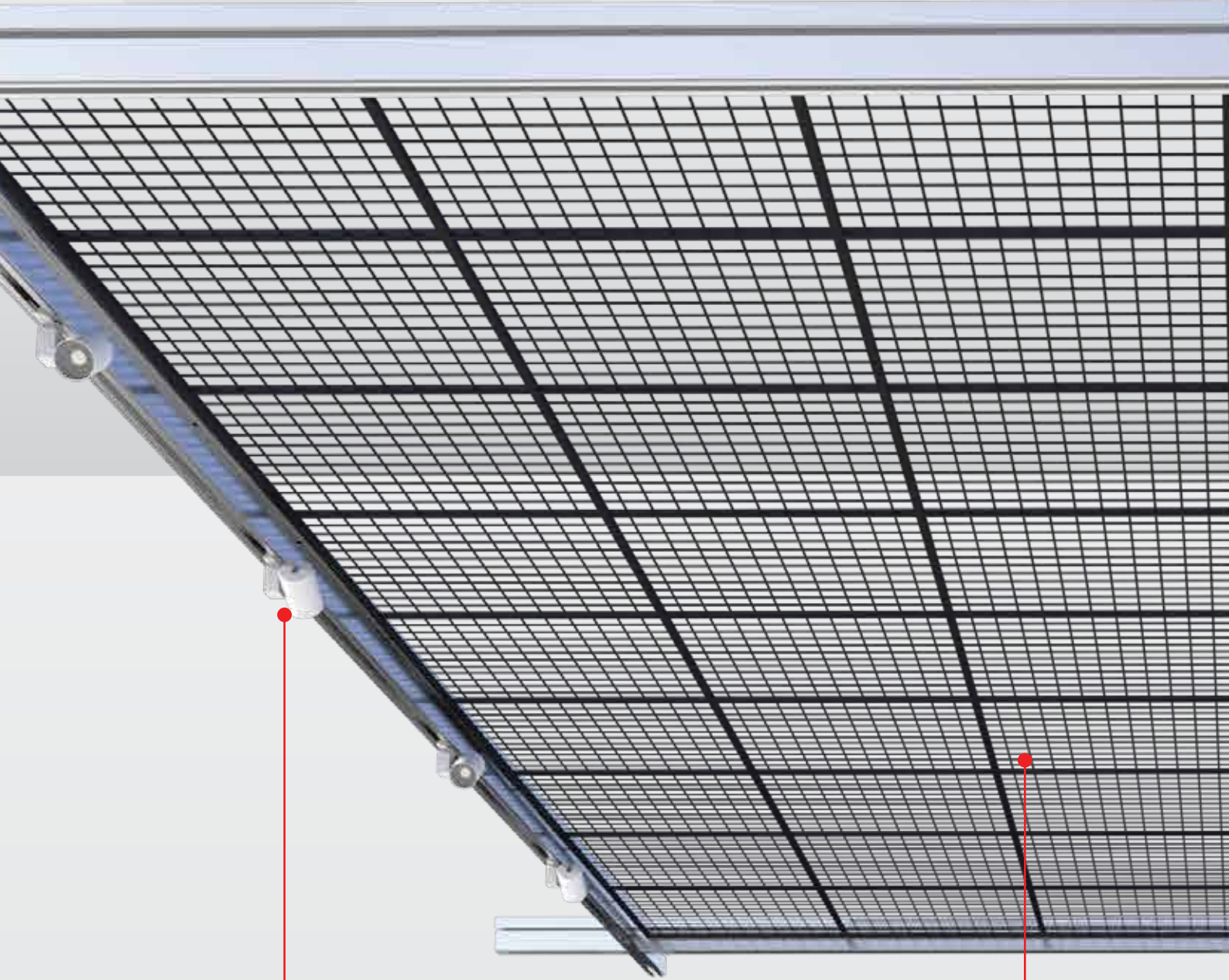


AC GRILL

EXPANDABLE MESH

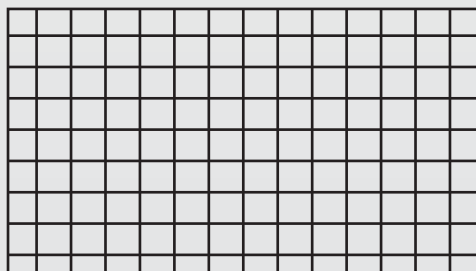


OVER

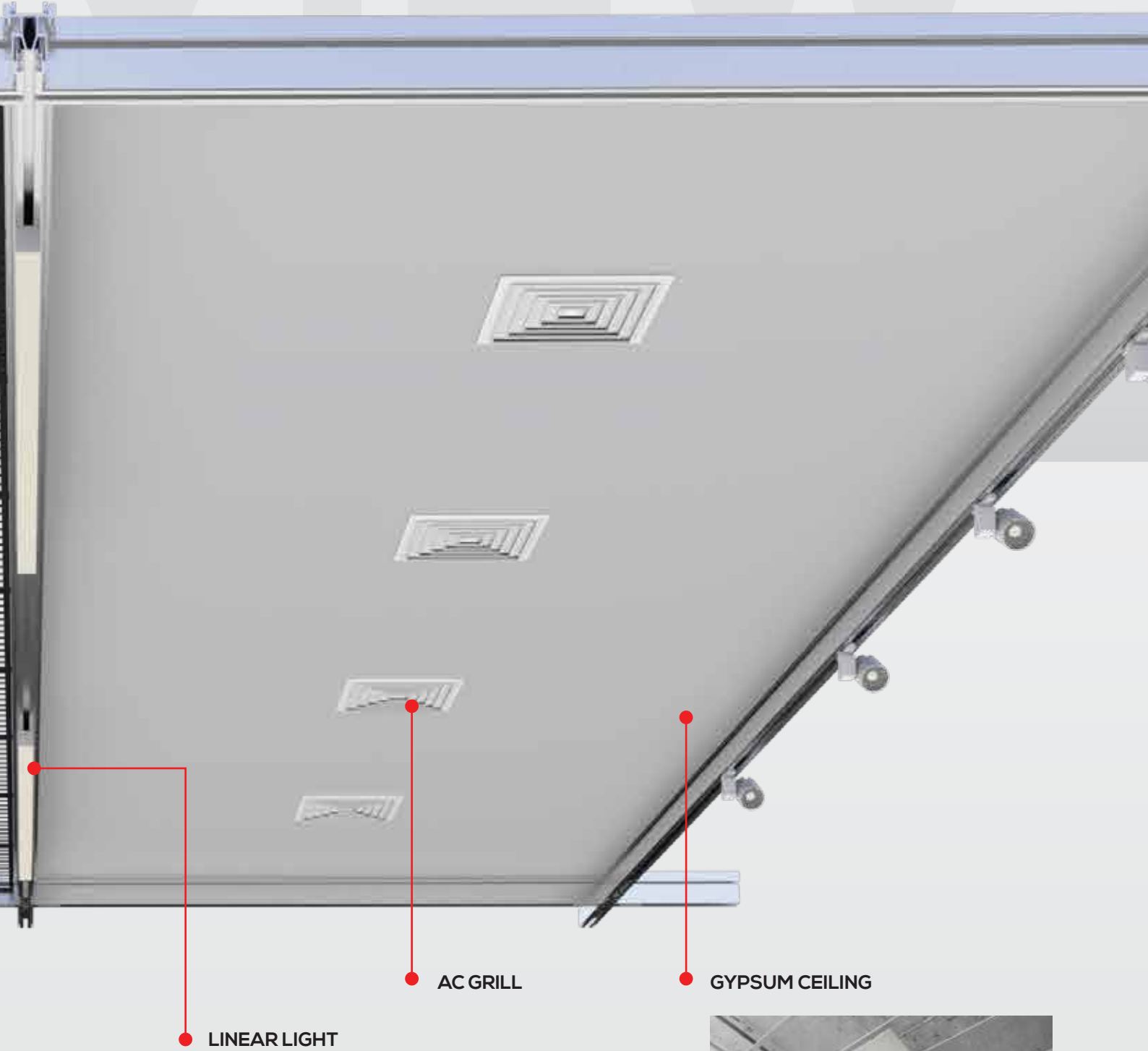


TRACK LIGHT

GRID PANEL

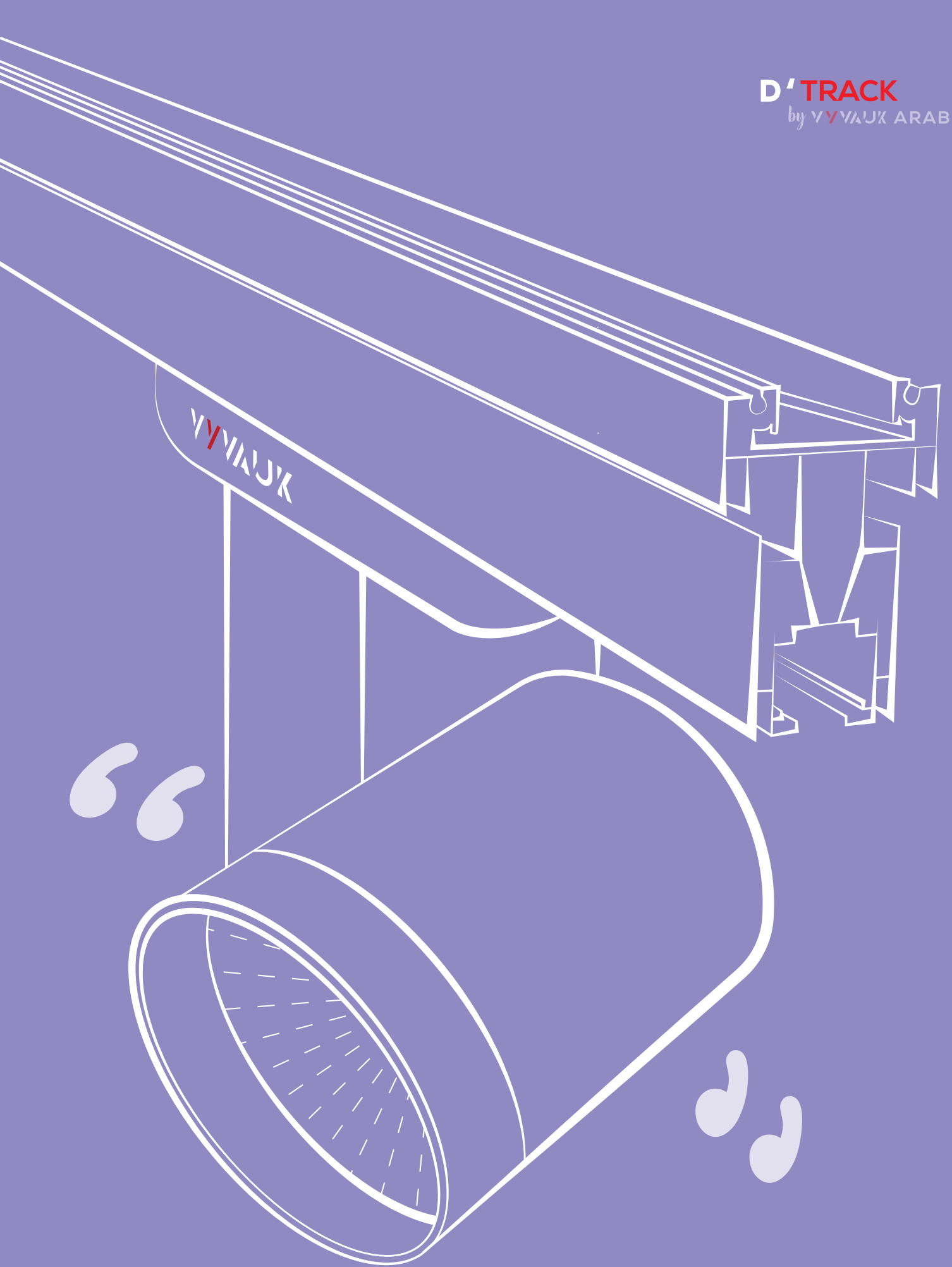


VIEW



Track LIGHTS

Track lighting is valued for its versatility and adjustable nature, allowing for targeted illumination of specific areas or objects within a space. This flexibility makes it ideal for accentuating artwork, merchandise displays, or architectural features. Beyond aesthetics, track lighting serves practical purposes by providing focused task lighting for activities like cooking or reading. Its space-efficient design and easy installation make it a popular choice, especially in smaller rooms or areas where traditional fixtures might be impractical. With energy-efficient LED options and the ability to easily expand or modify the system as needed, track lighting remains a key component of modern interior lighting solutions.



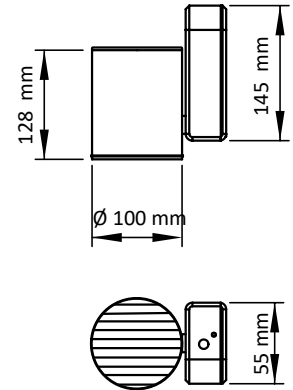


AAG - SparkSpot

Track Light

SparkSpot offer flexibility in directing light precisely where needed, making them ideal for accent lighting, task lighting, or general illumination in various settings. With their sleek design and customizable options, track lights are a popular choice for both residential and commercial spaces, providing practicality and aesthetic appeal.

- Aluminium injection frame and injection head
- High-purity aluminium reflector; Narrow, medium, and wide angle options
- Electrostatic powder coating
- Applied with electronic ballast
- Can be applied with a socket and canopy

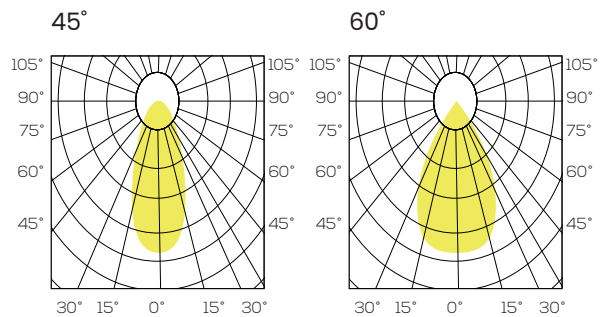


AAG - SPARKSPOT

PRODUCT DETAILS

Product Name	Track Light
Mounting	Track Mounted
Light Source	LED COB
Body Material	Aluminium
Finish	Powder Coated
Driver	Tridonic/Osram/Philips
Lamp Type	Cree/Osram/Philips
Base Type	3 Phase
Life Time	50,000 hours

BEAM ANGLE



INFORMATION

Lighting technologies reserves the right to modify or change technical, construction or LED specifications due to continuous improvements of our products and lightsource. All products come with necessary accessories.

APPLICATIONS



TRACK LIGHT Ordering Page



Model No : LTTKW4040K01001
Power : 40 W
Lumen Output: 4140 LM
CCT : 4000K
Colour : White



Model No : LTTKW3540K01002
Power : 35 W
Lumen Output: 4140 LM
CCT : 4000K
Colour : White



Model No : LTTKW4035K01003
Power : 40 W
Lumen Output: 4140 LM
CCT : 3500K
Colour : White



Model No : LTTKW3535K01004
Power : 35 W
Lumen Output: 4140 LM
CCT : 3500K
Colour : White



Model No : LTTKB4040K01005
Power : 40 W
Lumen Output: 4140 LM
CCT : 4000K
Colour : Black



Model No : LTTKB3540K01006
Power : 35 W
Lumen Output: 4140 LM
CCT : 4000K
Colour : Black



Model No : LTTKB4035K01007
Power : 40 W
Lumen Output: 4140 LM
CCT : 3500K
Colour : Black

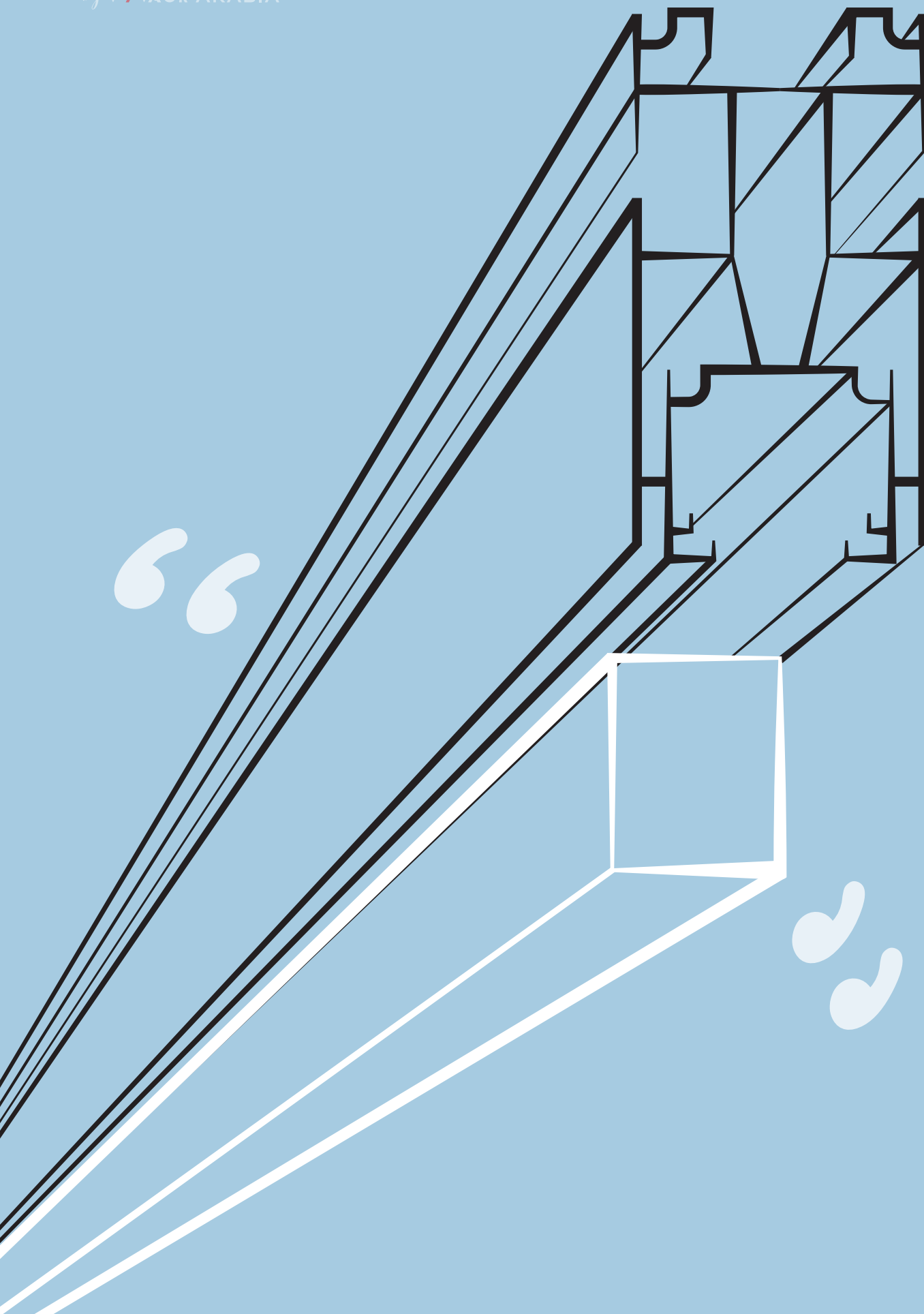


Model No : LTTKB3535K01008
Power : 35 W
Lumen Output: 4140 LM
CCT : 3500K
Colour : Black

Notes: _____

WARM WHITE
3500 K

NATURAL WHITE
4000 K



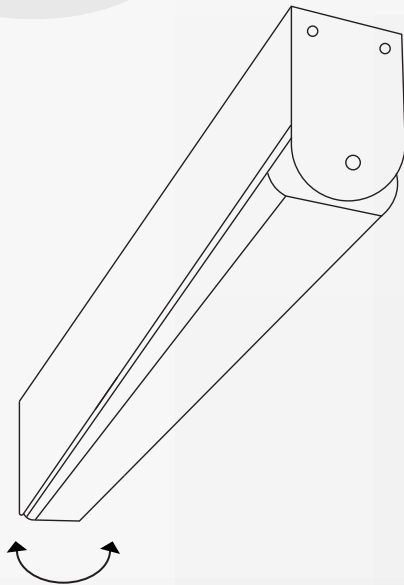
Linear lights integrated into our track system offer a sleek and versatile lighting solution. They provide uniform illumination along the length of the track, ideal for accent lighting, task lighting, or ambient lighting in various settings. The flexibility of linear lights allows for creative designs and configurations, enhancing architectural features and creating visually appealing environments. With easy installation and compatibility with our integrated track system, linear lights provide efficient and effective lighting solutions for modern spaces.

Track LINEAR LIGHTS

Adjustable Linear Track Lights

■ LTLRB10040K01098

□ LTLRW10040K01099



Adjust the light to the direction you need

DETAILED SPECIFICATION

Item Type	Linear Light
Mounting	Hanging Type
CCT	4000K
Power	42 W
Body material	Aluminium
Finish	Powder coated
Body Colour	Aluminium
Driver	Tridonic/Osram/Philips
Lamp type	Cree/Osram/Philips
Size	900 mm
Support Dimmer	Option
Colour	Black/White



Benefits:

- > Versatility
- > Enhanced Control
- > Energy Efficiency
- > Highlighting Features
- > Customized Lighting
- > Adaptability
- > Aesthetic Appeal
- > Ease of Installation and Maintenance

Adjustable Linear Grid Track Lights

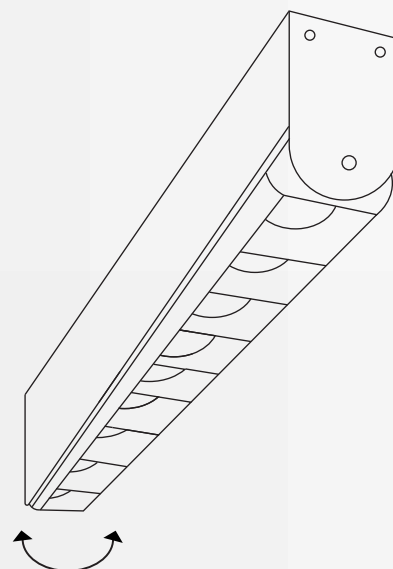
- LTLRB10040K01100
- LTLRW10040K01101



Adjustable linear lights flexibly direct light to suit different layouts and design preferences. Users can easily adjust the light's position, angle, and brightness to highlight specific areas or objects as needed.

DETAILED SPECIFICATION

Item Type	Linear Light
Mounting	Hanging Type
CCT	4000K
Power	42 W
Body material	Aluminium
Finish	Powder coated
Body Colour	Black
Driver	Tridonic/Osram/Philips
Lamp type	Cree/Osram/Philips
Size	900 mm
Support Dimmer	Option
Colour	Black/White



Adjust the light to the direction you need





Linear Pendant Light

■ LTLRB8040K01102

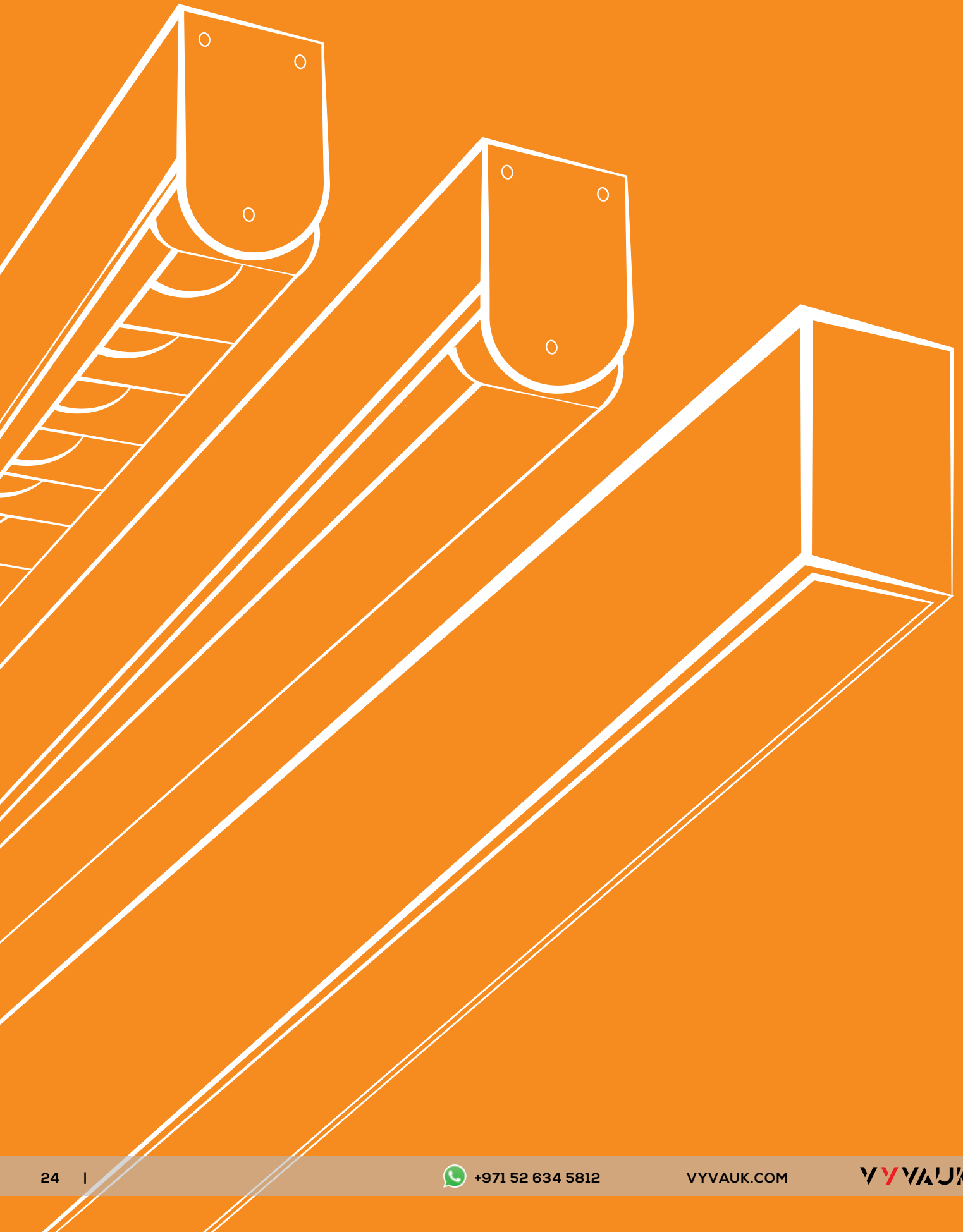
□ LTLRW8040K01103

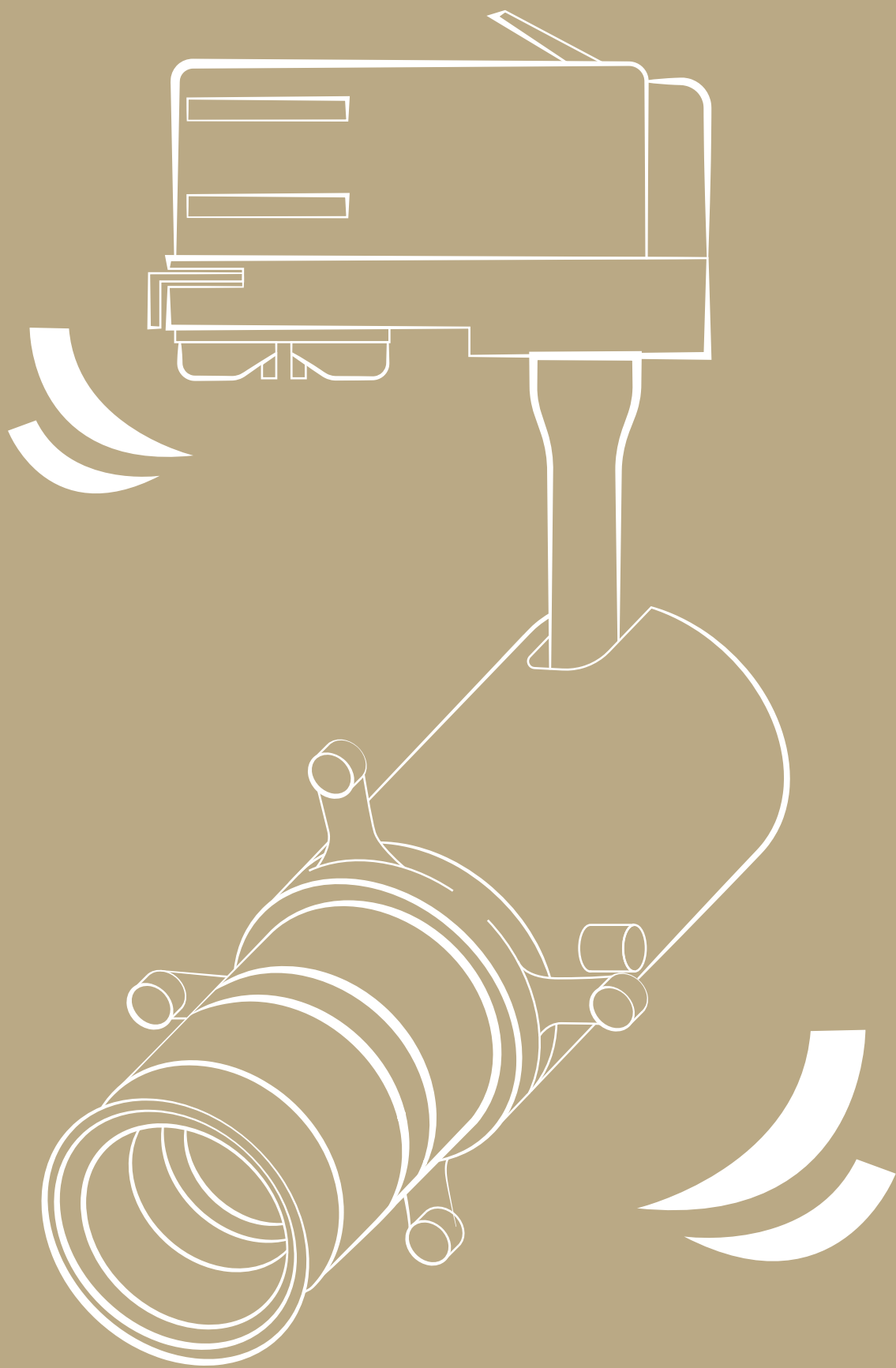


DETAILED SPECIFICATION

Item Type	Linear Light	Body Colour	Black/White
Mounting	Hanging Type	Driver	Tridonic/Osram/Philips (Double Driver)
CCT	4000K	Lamp type	Cree/Osram/Philips
Power	80 W	Size	L 3000 mm
Body material	Aluminium	Support Dimmer	Option
Finish	Powder coated	Colour	Black/White







Projector lights are ideal for projecting custom designs onto any surfaces, using specially crafted lens slides to create unique visuals. This innovative technology allows for personalized projections, making it a versatile choice for decorative and artistic applications.

TUBE SHAPE ZOOMABLE

Track LIGHTS





Visual Poster System

- LTPRB1530K01009
- LTPRW1530K01097

Watts	Lumen	CRI	CCT	Zoomable	DIM	G.W	Filter Size	Finish
20W-40W	1450LM	Ra ≥ 92	6500K	20°-35°	OPTION	400 G	37 mm	Matte Black Matte White

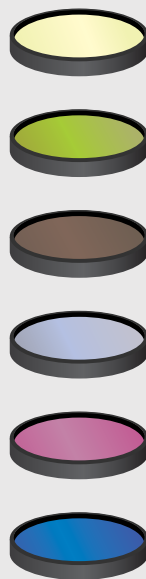
Applicant

Products are widely used as indoor main illumination lighting in the office, commercial center, shopping mall, supermarkets, factory, etc.



Driver	Tridonic/Osram/Philips
Lamp type	Cree/Osram/Philips

Shapes !



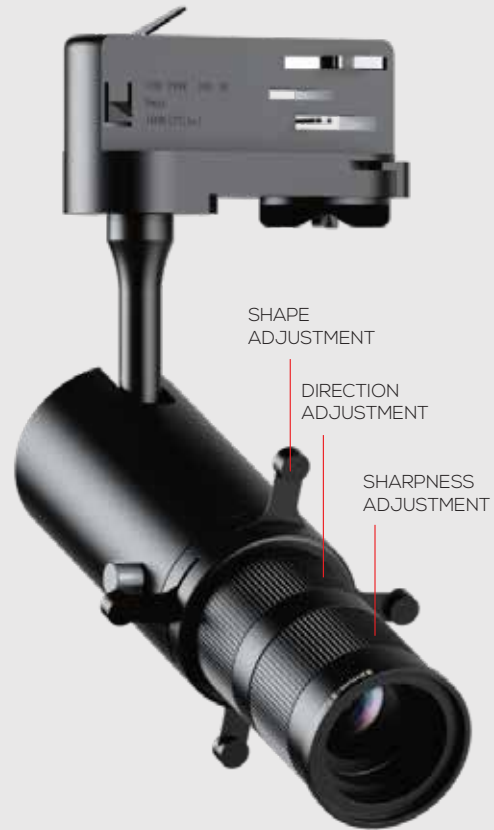
Can add different filters HD UV filter



Precize light spot shape control



Visual Projector System



REPLACING THE FILTER
WITH FILTER THAT HAS LOGO DESIGN

Projection Effect



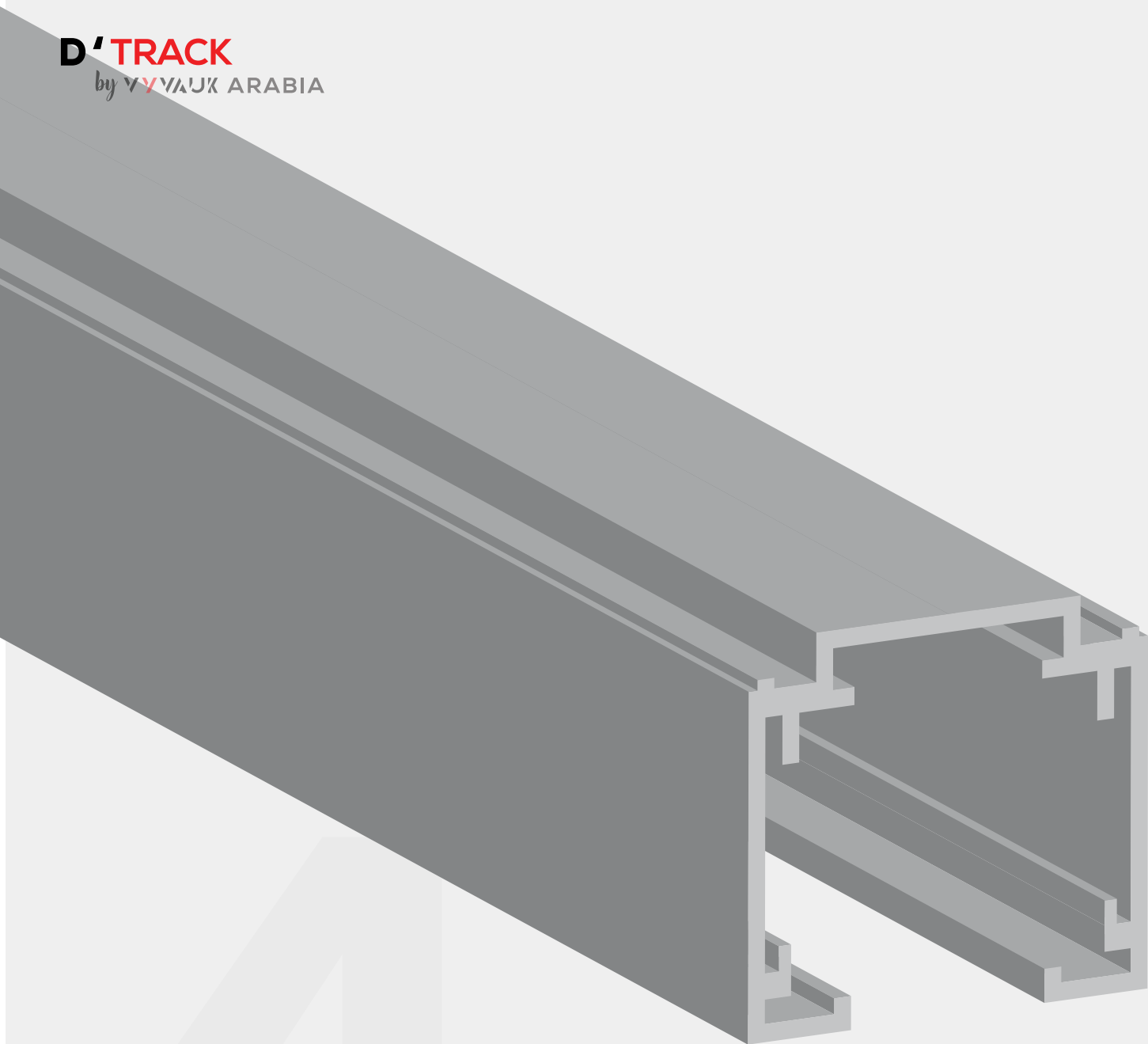


Our tube-shaped and zoomable logo projection LED track lights offer a versatile solution for customized lighting applications. These lights can be tailored to project specific logos or designs onto surfaces, using specialized lenses designed for precise projection. The zoom feature allows for adjustable focus and size of the projected image, ensuring optimal visibility and clarity. With the ability to customize the lighting fixtures and lenses, our LED track lights provide a unique and impactful way to showcase branding or decorative elements in various environments.







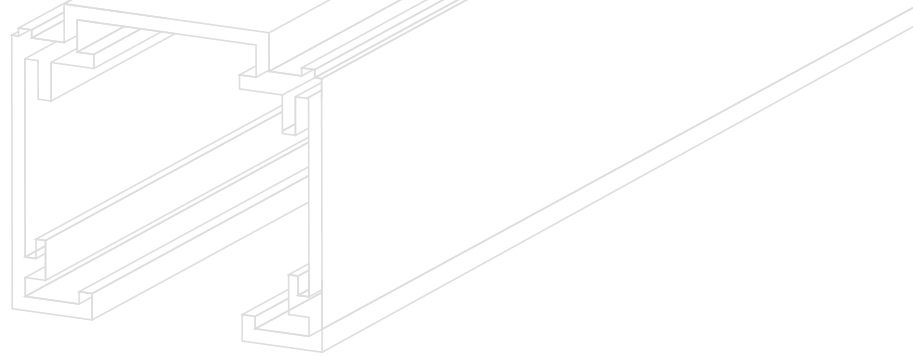


4

LINE

TRACK TRACK

D'TRACK
by VYVAUK ARABIA



4 LINE TRACK SOLUTION

□ TKALW01010

■ TKALB01011

Track lighting solutions provide adaptable and customizable lighting options for diverse applications. With several fixtures mounted on a single track, they enable precise targeting of light to highlight artwork, specific areas, or general spaces. Easy to install and adjust, these systems enhance the functionality and visual appeal of any setting, making them perfect for both home and business environments.



TRACK JOINTS

Here's an overview of the four types of connections used to join track rails: L-Joint, T-Joint, "+ Joint", and Linear Joint.



L-JOINT

- TKCPLWL01012
- TKCPLBL01013

An L-Joint is a connection that joins two track rails at a right angle, forming an "L" shape. This type of joint is commonly used when tracks need to change direction, such as turning a corner or branching off in a perpendicular direction. L-Joints allow for flexibility in track layout and are essential for creating complex configurations in lighting or display setups.



T-JOINT

- TKCPLWT01014
- TKCPLBT01015

A T-Joint is a connection where one track rail intersects another track rail perpendicularly, forming a "T" shape. This joint is useful for branching out a track into multiple directions from a single point. T-Joints are often employed to create junctions in track lighting systems, enabling lights to be directed along different paths or to illuminate specific areas effectively.



+ JOINT

- TKCPLWX01016
- TKCPLBX01017

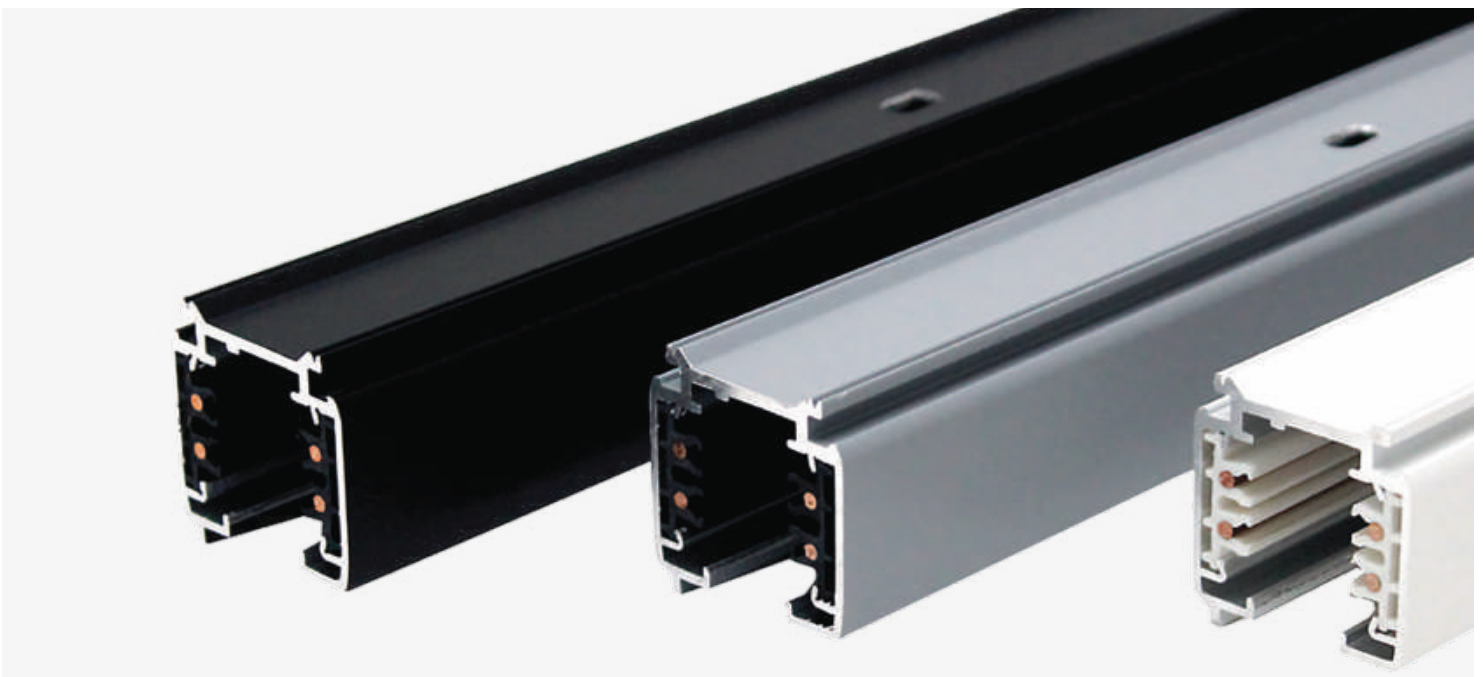
A "+ Joint" is a connection where four track rails meet at a central point, resembling the shape of a "+". This type of joint allows for highly intricate and interconnected track layouts, enabling a network of rails to converge and diverge in various directions. + Joints are used to create complex configurations in installations where multiple tracks need to intersect and overlap.



LINEAR-JOINT

- TKCPLW01018
- TKCPLW01019

A Linear Joint connects two track rails end-to-end, forming a seamless, straight path without angles. It's essential for extending tracks smoothly and joining sections for a cohesive system, ensuring seamless transitions and overall functionality.



TRACK ACCESSORIES



LINEAR-JOINT SMALL

- TKCPLWJ01020
- TKCPLBJ01021

A Linear Joint connects two track rails end-to-end, forming a seamless, straight path without angles. It's essential for extending tracks smoothly and joining sections for a cohesive system, ensuring seamless transitions and overall functionality.



POWER CONNECTOR

- TKCPLWE01022
- TKCPLBE01023

Powering lights in track rail systems relies on integrated low-voltage or line-voltage connections within the rails. This setup facilitates flexible lighting placement and design, accommodating diverse environments and requirements effectively. It ensures efficient and customizable illumination solutions for various settings.



END CAP

- TKCPLWC01024
- TKCPLBC01025

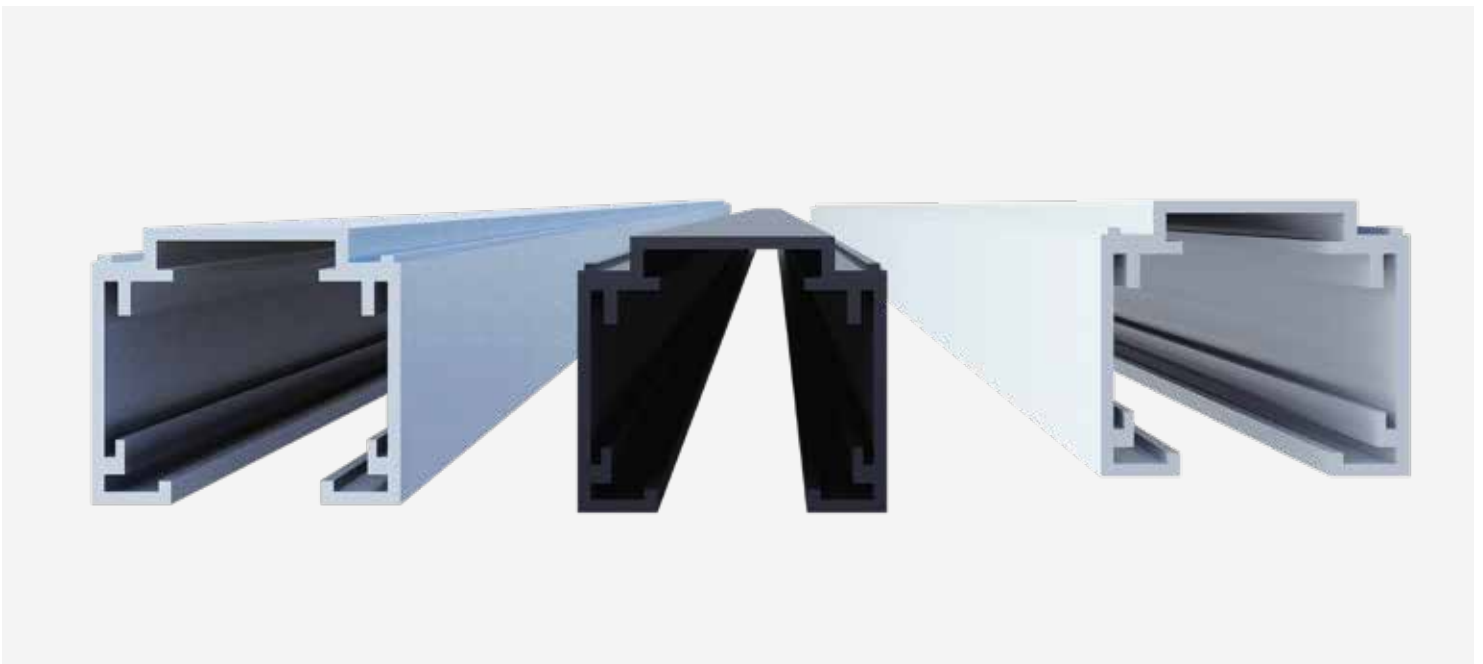
End caps for track rails serve as essential components that provide a clean and finished look to the end of the rail. They effectively conceal any exposed ends, enhancing the overall aesthetic appeal of the track system. Additionally, end caps help prevent dirt and debris from accumulating within the rail, ensuring its longevity and smooth operation.

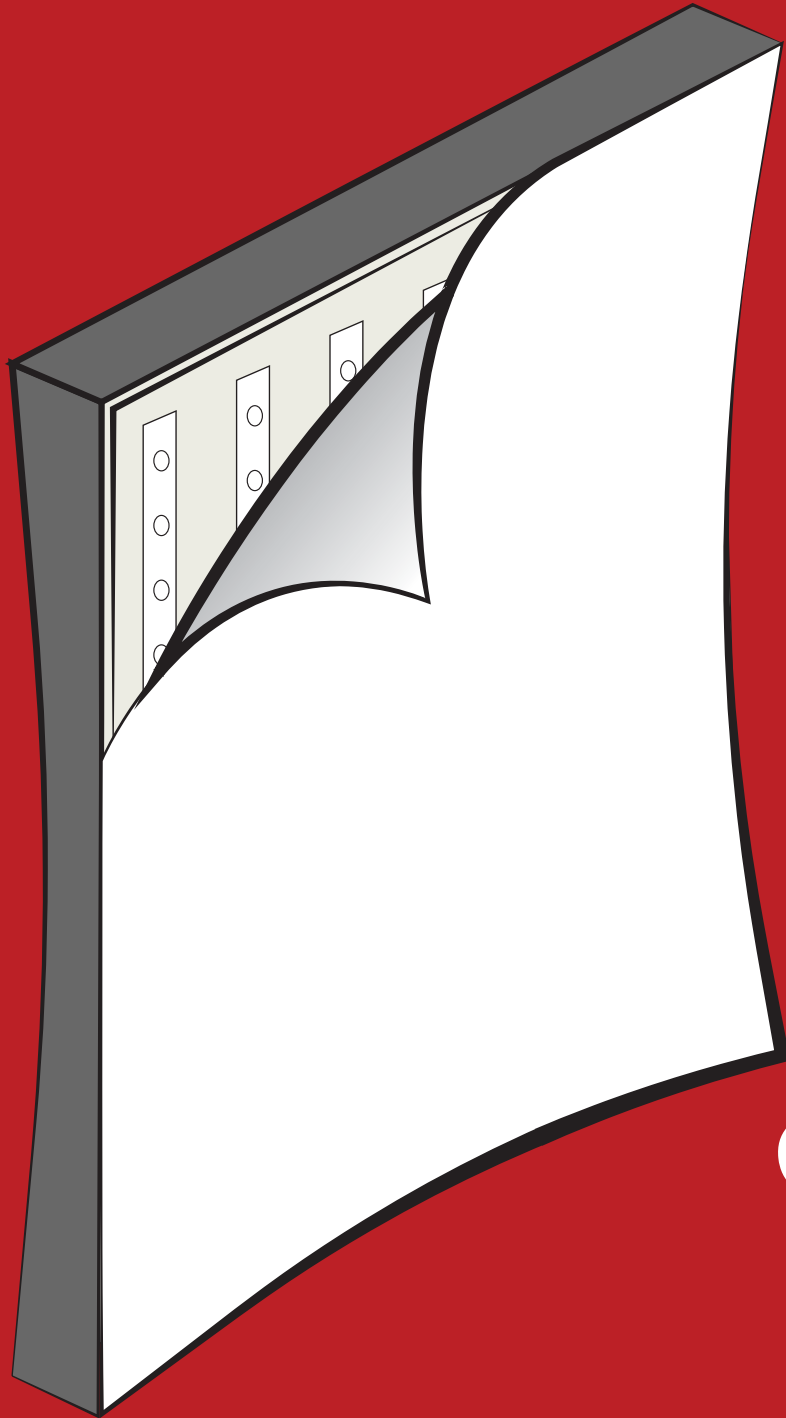


HANGING SUSPENSION WIRE

- 1MTR : TKWG101026
- 2MTR : TKWG101027

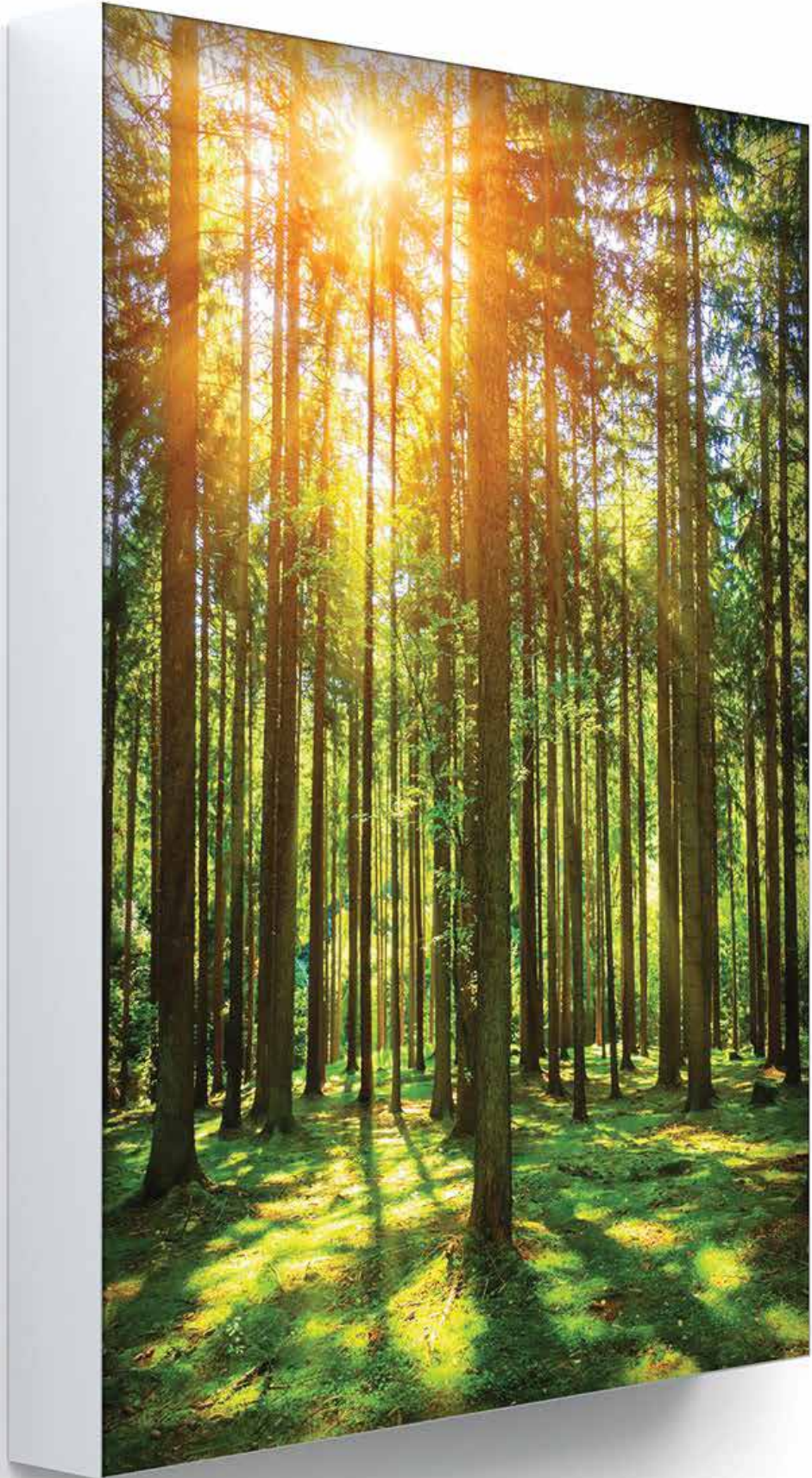
Hanging suspension wires are utilized to support track rails, ensuring stability and alignment in elevated or overhead track systems. These wires are crucial for distributing weight evenly and minimizing sag, thus maintaining the integrity and safety of the track installation.





Light boxes, or illuminated displays, have transformed visual communication with vibrant illumination that highlights graphics and artworks. Featuring a backlit translucent panel, light boxes create striking effects that draw attention to advertisements, promotions, or artistic creations. Originally popular in advertising, light boxes are now widely used in retail, hospitality, and art settings for their modern and impactful display capabilities. With advancements in LED technology, light boxes have become energy-efficient and versatile, making them a preferred choice for enhancing visual experiences in diverse environments.

RETAIL SMART FRAME



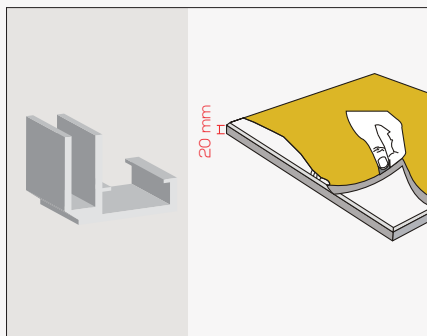


RETAIL

LIGHT BOX

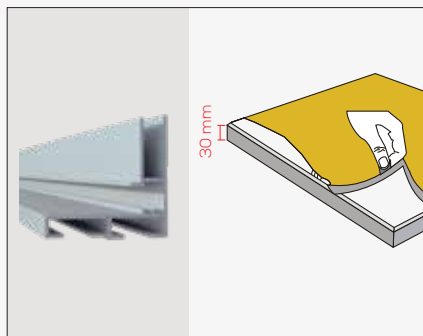
P20

SINGLE SIDED 20 MM PROFILE



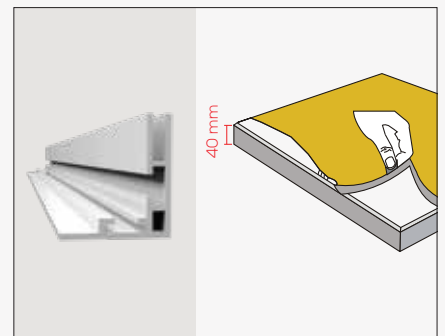
P30

SINGLE SIDED 30 MM PROFILE



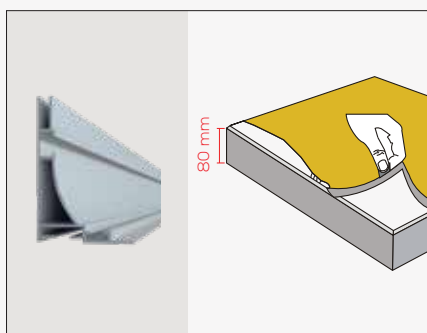
P40

SINGLE SIDED 40 MM PROFILE



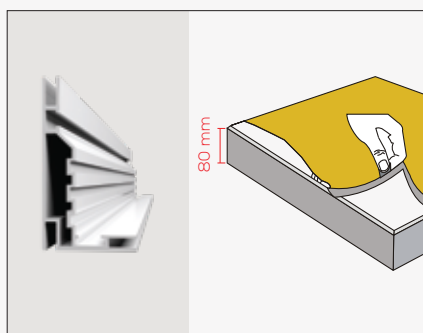
P80

SINGLE SIDED 80 MM PROFILE



P80

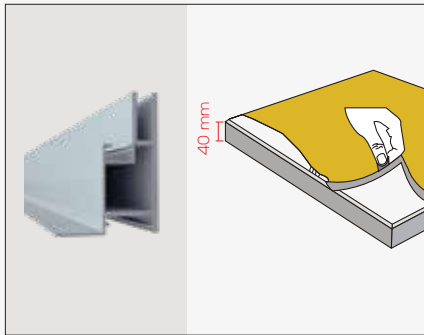
SINGLE SIDED 80 MM PROFILE



FRAMES

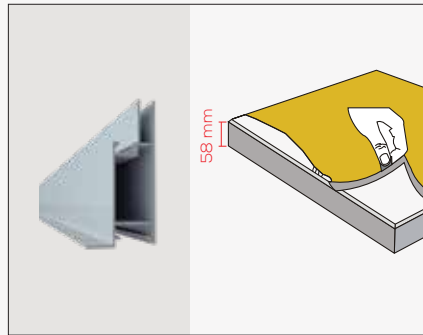
P40

SINGLE SIDED 40 MM PROFILE



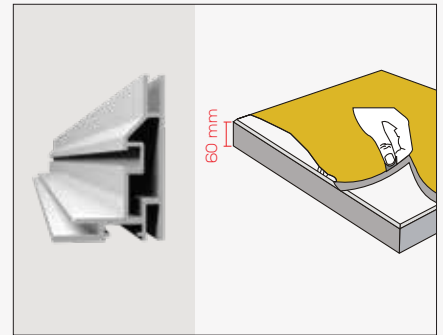
P58

SINGLE SIDED 58 MM PROFILE

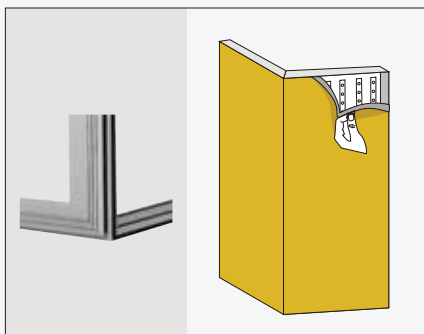


P60

SINGLE SIDED 60 MM PROFILE



L-SHAPE PROFILE



RGB - LED BAR



SINGLE SIDED 20 MM PROFILE

- PFALW2001045
- PFALB2001046
- PFALS2001047

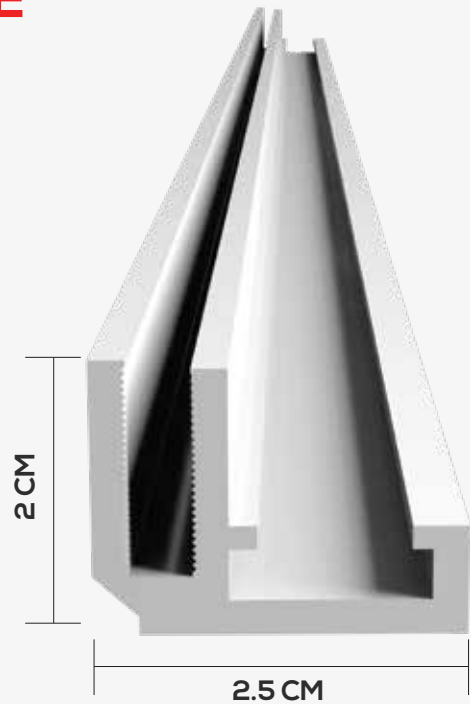
Custom colours also available

Structural Drawing:

Depth :
20 mm

Frame :
Aluminium

Graphics :
Single-Sided



APPLICATION :

Wall Mounted

SINGLE SIDED 30 MM PROFILE

- PFALW3001048
- PFALB3001049
- PFALS3001050

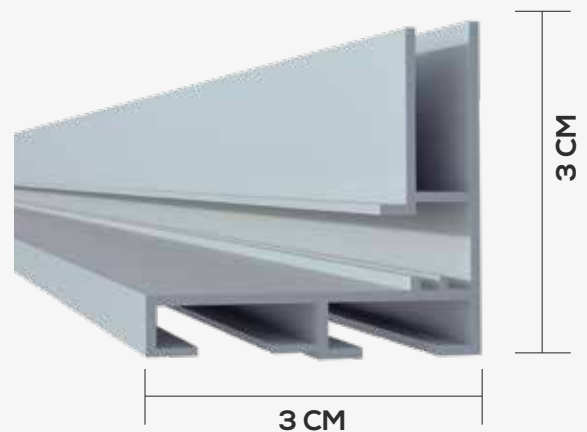
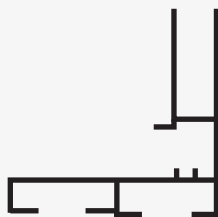
Custom colours also available

Structural Drawing:

Depth :
30 mm

Frame :
Aluminium

Graphics :
Single-Sided



APPLICATION :

Wall Mounted

SINGLE SIDED 40 MM PROFILE

- PFALW4001051
- PFALB4001052
- PFALS4001053

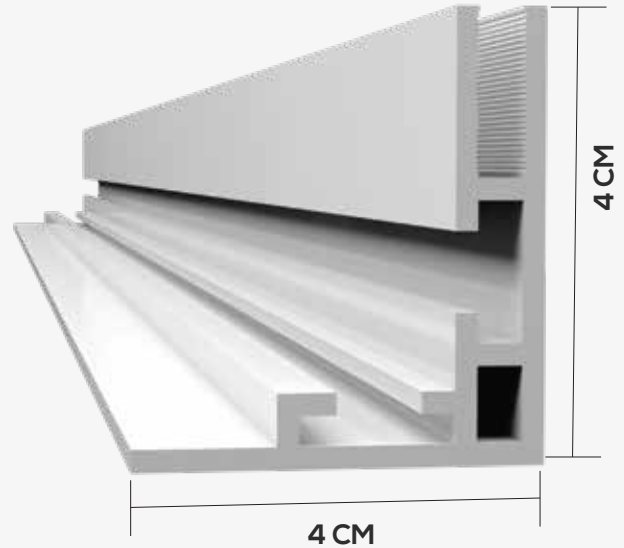
Custom colours also available

Structural Drawing:

Depth :
40 mm

Frame :
Aluminium

Graphics :
Single-Sided



APPLICATION :

Wall Mounted

SINGLE SIDED 40 MM PROFILE

- PFALW4001054
- PFALB4001055
- PFALS4001056

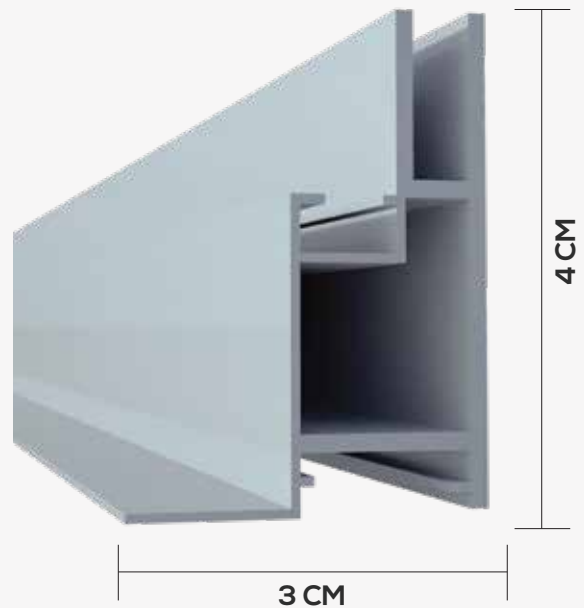
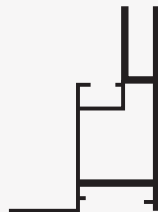
Custom colours also available

Structural Drawing:

Depth :
40 mm

Frame :
Aluminium

Graphics :
Single-Sided



APPLICATION :

Wall Mounted



**BRIGHTEN
YOUR VISION.**

**ILLUMINATE
YOUR SPACE.**

SINGLE SIDED 58 MM PROFILE

- PFALW5801057
- PFALB5801058
- PFALS5801059

Custom colours also available

Structural Drawing:

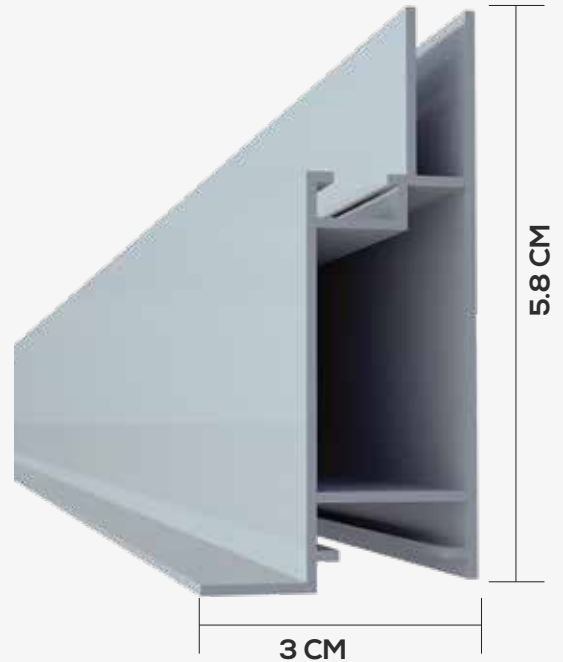
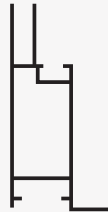
Depth :
58 mm

Frame :
Aluminium

Graphics :
Single-Sided

APPLICATION :

Wall Mounted



SINGLE SIDED 60 MM PROFILE

- PFALW6001060
- PFALB6001061
- PFALS6001062

Custom colours also available

Structural Drawing:

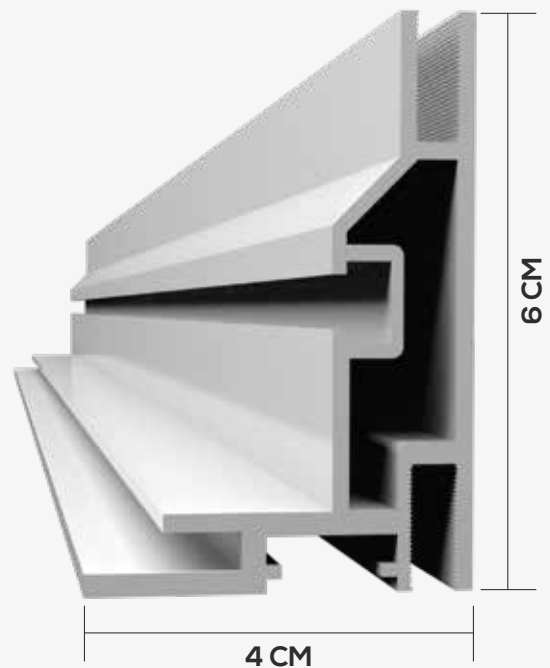
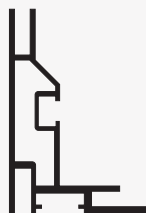
Depth :
60 mm

Frame :
Aluminium

Graphics :
Single-Sided

APPLICATION :

Wall Mounted





SINGLE SIDED 80 MM PROFILE

- PFALW8001063
- PFALB8001064
- PFALS8001065

Custom colours also available

Structural Drawing:

Depth :
80 mm

Frame :
Aluminium

Graphics :
Single-Sided

APPLICATION :

Wall Mounted



SINGLE SIDED 80 MM PROFILE

- PFALW8001066
- PFALB8001067
- PFALS8001068

Custom colours also available

Structural Drawing:

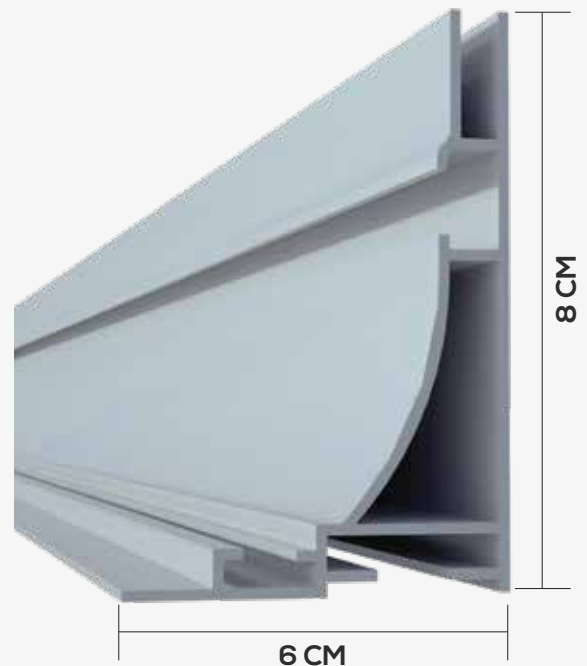
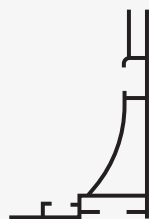
Depth :
80 mm

Frame :
Aluminium

Graphics :
Single-Sided

APPLICATION :

Wall Mounted



DUAL-SIDED PILLAR FABRIC LIGHT BOX

□ PFALWDS01069

■ PFALBDS01070

■ PFALS01071

Custom colours also available

Frame :

Aluminium

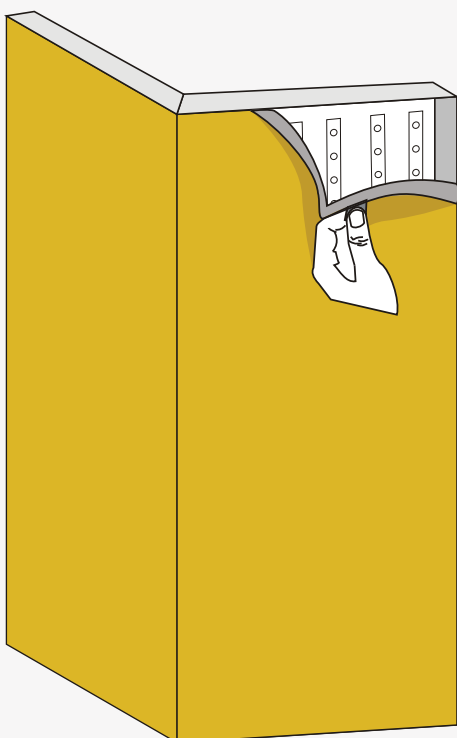
Graphics :

Single-Sided

Introducing the Dual-Sided Pillar Fabric Light Box, a sophisticated solution designed to transform pillars into dynamic visual canvases. This innovative display offers a dual-sided brilliance, making a bold statement in both indoor and outdoor settings.

APPLICATION :

Wall Mounted



BACKLIT LED BAR

Backlit LED Bars provide bright, uniform illumination for fabric light boxes, enhancing the visibility and vibrancy of fabric graphics. These energy-efficient LED bars are easy to install, offering a cost-effective solution for professional backlit displays in advertising and retail settings.

Light Source:
OSRAM/BRIDGELUX (LED COB)

Power
12W

Input Power:
24 V

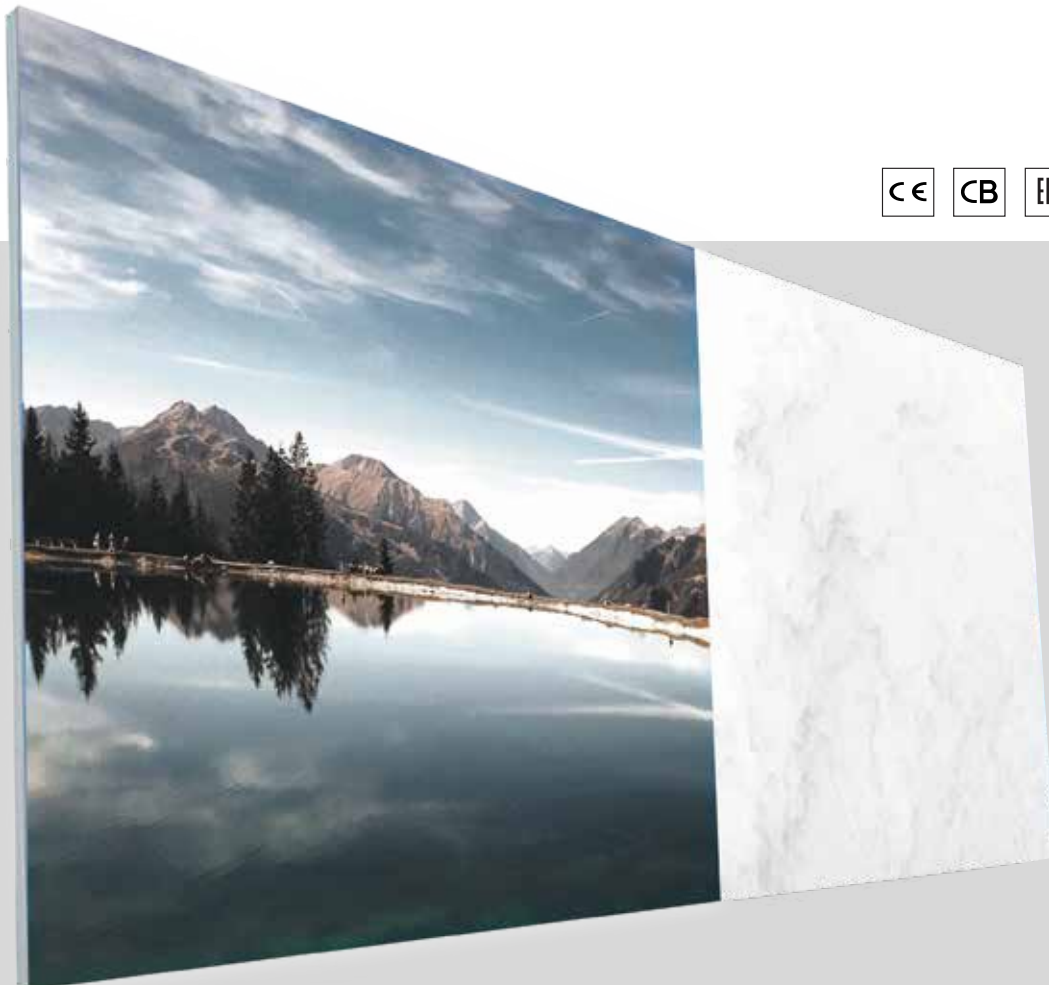
Bar Size:
960 x 17 mm



6500K
LTBL1265K01074



9000K
LTBL1290K01075



DYNAMIC LIGHT BOARD

LTBLB2001076

Size:
320 x 160 mm/512 Pixels

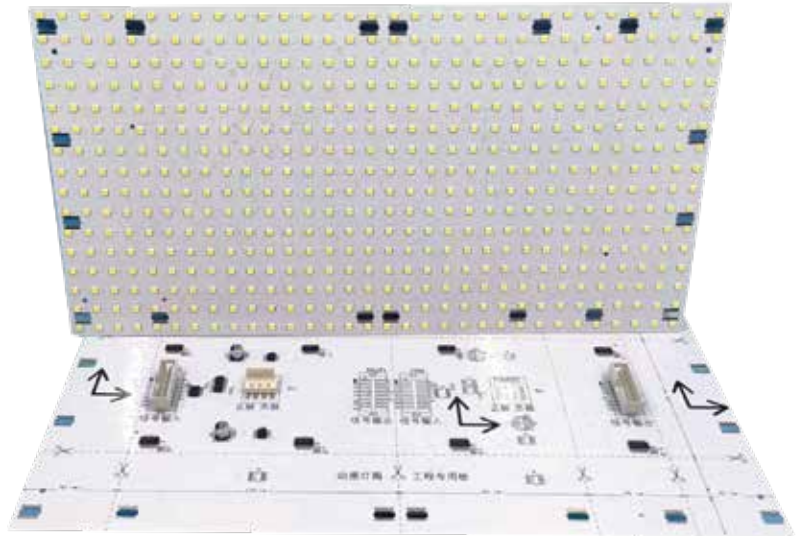
Light Angle:
110-120

Input Voltage:
DC5V

Power:
16W/PCS

Chip Board:
Group Scan Scheme

Power On No Limits



High luminous efficiency

$2^8 - 2^{16}$

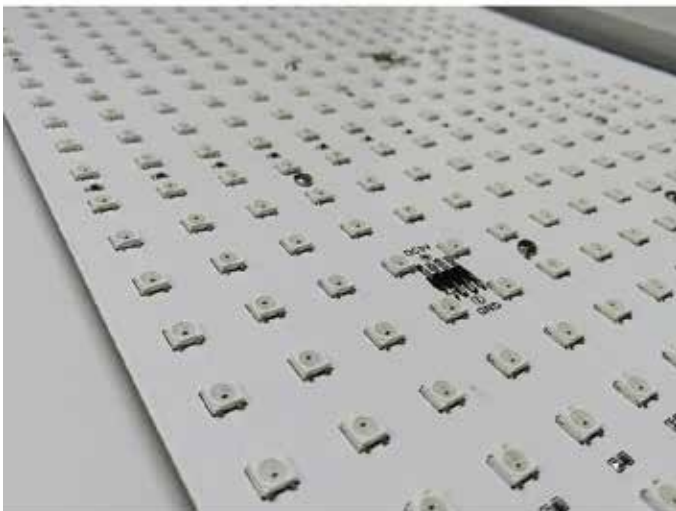
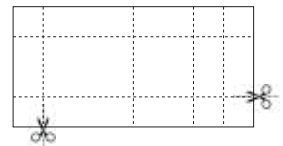
Multi colour Variation



Soft light and eye protection

B&W

Monochrome controllable



RGB

Introducing the RGB Fabric Light Box, a revolutionary leap in visual communication that transforms traditional displays into dynamic and captivating showcases. This cutting-edge light box goes beyond conventional illumination, incorporating RGB (Red, Green, Blue) technology to offer a spectrum of colors, creating a visually stunning and immersive experience for any setting.

BACKLIT LED BAR RGB

Effortlessly showcase stunning animated visuals from the content repository.

RGB Fabric Light Box: A Spectrum of Illumination for Captivating Displays



LTBL12RGB01077



DYNAMIC LIGHT BOARD-RGB

LTBLB20RGB01078

Size:
320 x 160 mm/128 Pixels

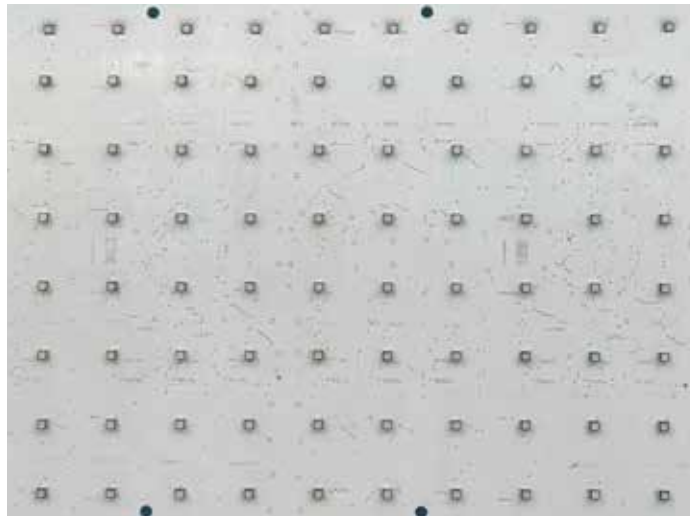
Light Angle:
110-120

Input Voltage:
DC5V

Power:
20W/PCS

Chip Board:
Group Scan Scheme

Power On No Limits



High luminous efficiency

$2^8 - 2^{16}$

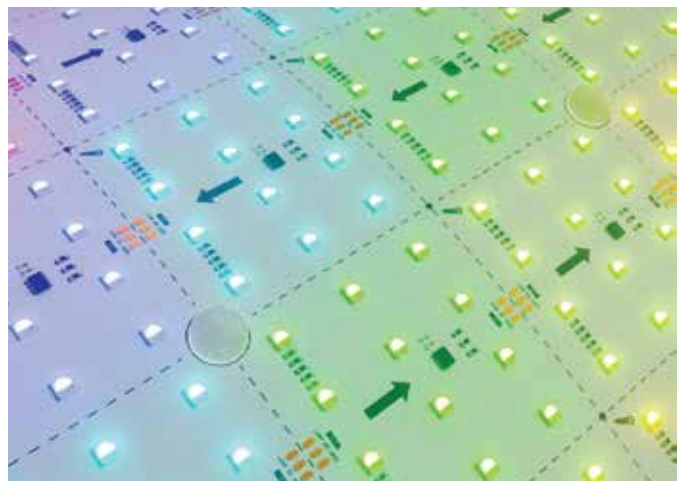
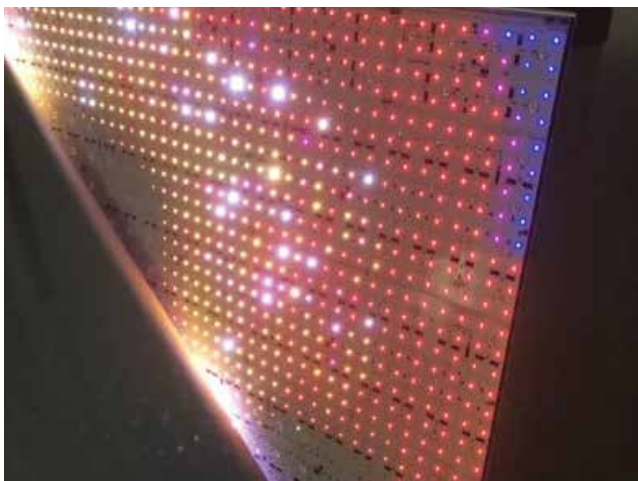
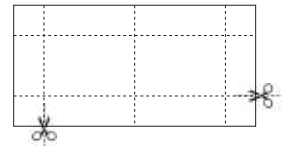
Multi colour Variation



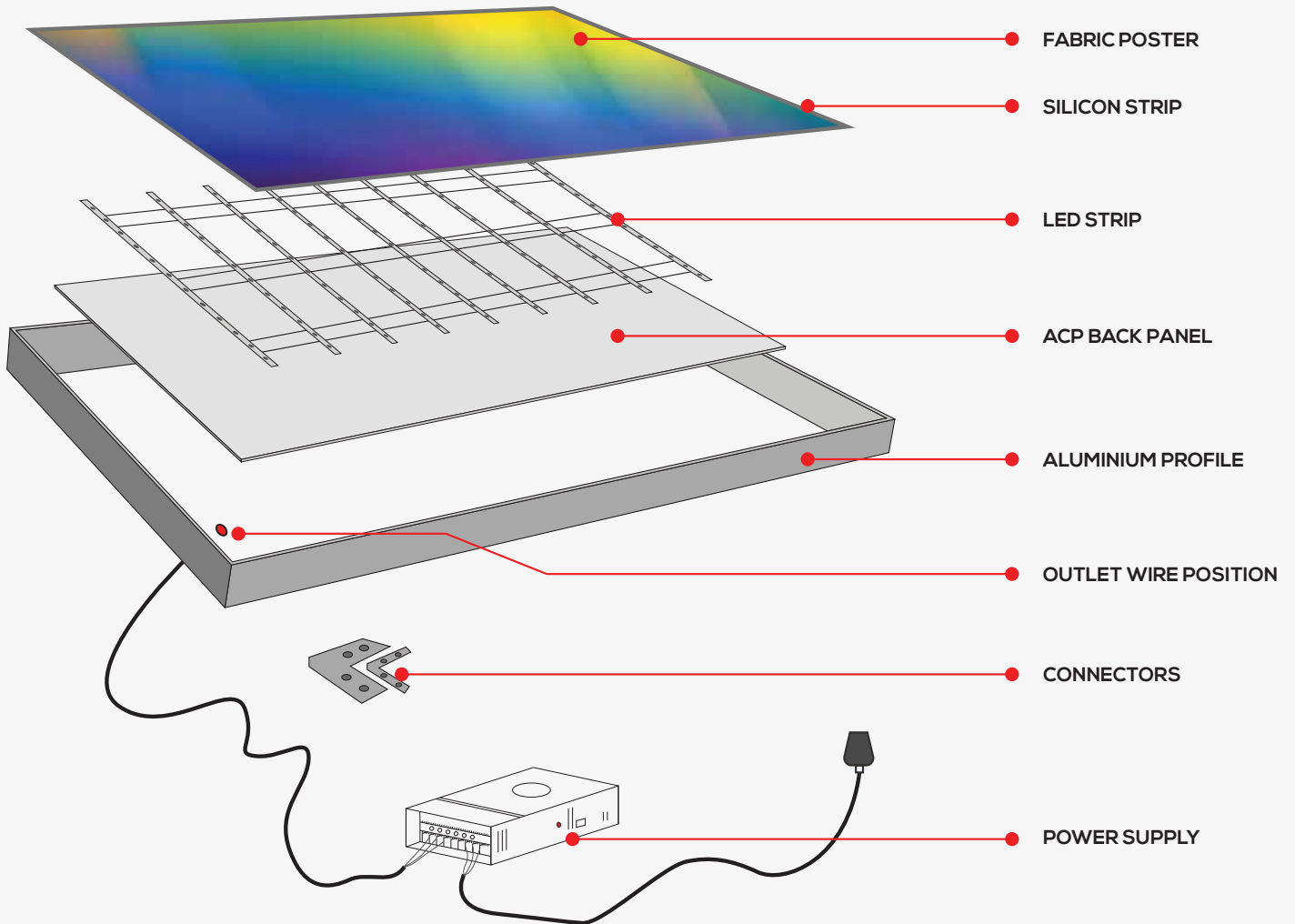
Soft light and eye protection

RGB

RGB Illumination



Parts of a LIGHT BOX



A fabric light box consists of several key components: the power supply, aluminum profile, ACP back panel, LED strip, silicon strip, and fabric poster. The power supply ensures consistent illumination, while the aluminum profile forms the frame. The ACP back panel provides structural support, and the LED strip delivers bright, even lighting. The silicon strip secures the fabric poster, which displays the desired graphic or image.

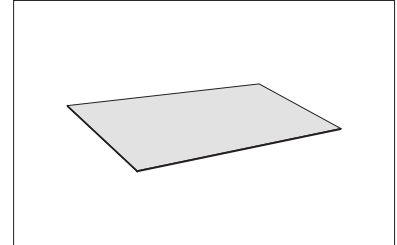
ACCESSORIES FOR FABRIC LIGHT BOX



Corner Connector accessories
P20,P30,P40,P60,P80



Straight Connector accessories
P20,P30,P40,P60,P80



ACP Back Panel
BPALW01091



Power supply
80W, 120W, 300W (24V)



Backlit LED Bar 6500 K
LTBL1265K01074



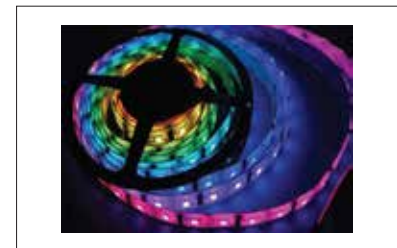
Backlit LED Bar 9000 K
LTBL1290K01075



Dynamic Light Board
LTBLB2001076



Backlit Led Bar
LTBL12RGB01077



Dynamic Light Board-RGB
LTBLB20RGB01078

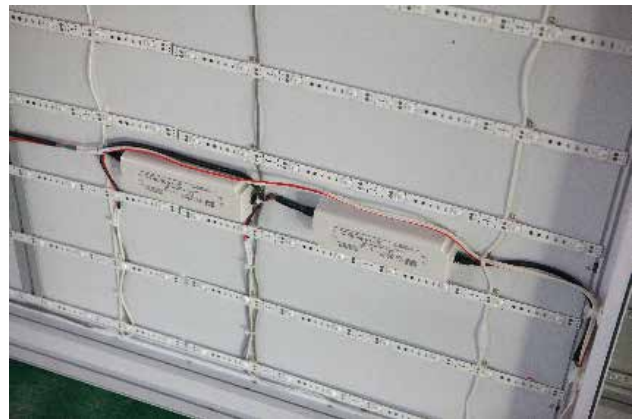
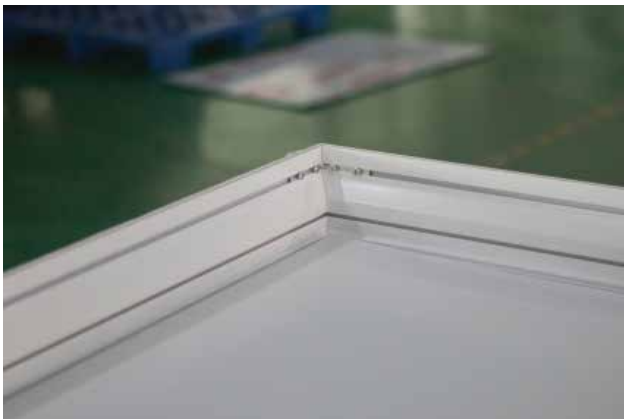


Fabric Cloth for Printing
FCW01095



Silicon Strip
SSW1096

Get inspired.



Get inspired.



Get inspired.





CLIENTELE

Our valuable clients are at the heart of our success. Their trust and collaboration drive our commitment to excellence and innovation. We are dedicated to meeting and exceeding their unique needs, forging lasting relationships built on quality and service.



WHERE WE SELL



UAE



KSA



OMAN



KUWAIT



TURKMENISTAN



BAHRAIN



QATAR



FRANCE



GERMANY



UKRAINE



ALGERIA



SOUTH AFRICA



EGYPT



JORDAN



KAZAKHSTAN



MOROCCO



ISRAEL



INDIA



GEORGIA



KENYA

